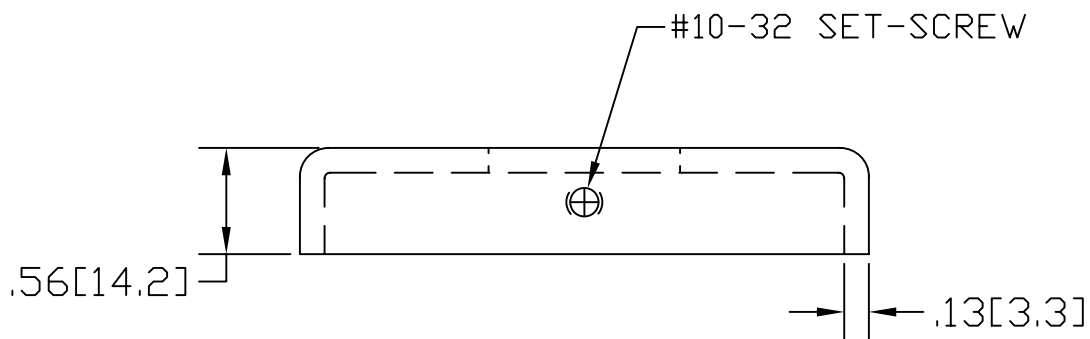
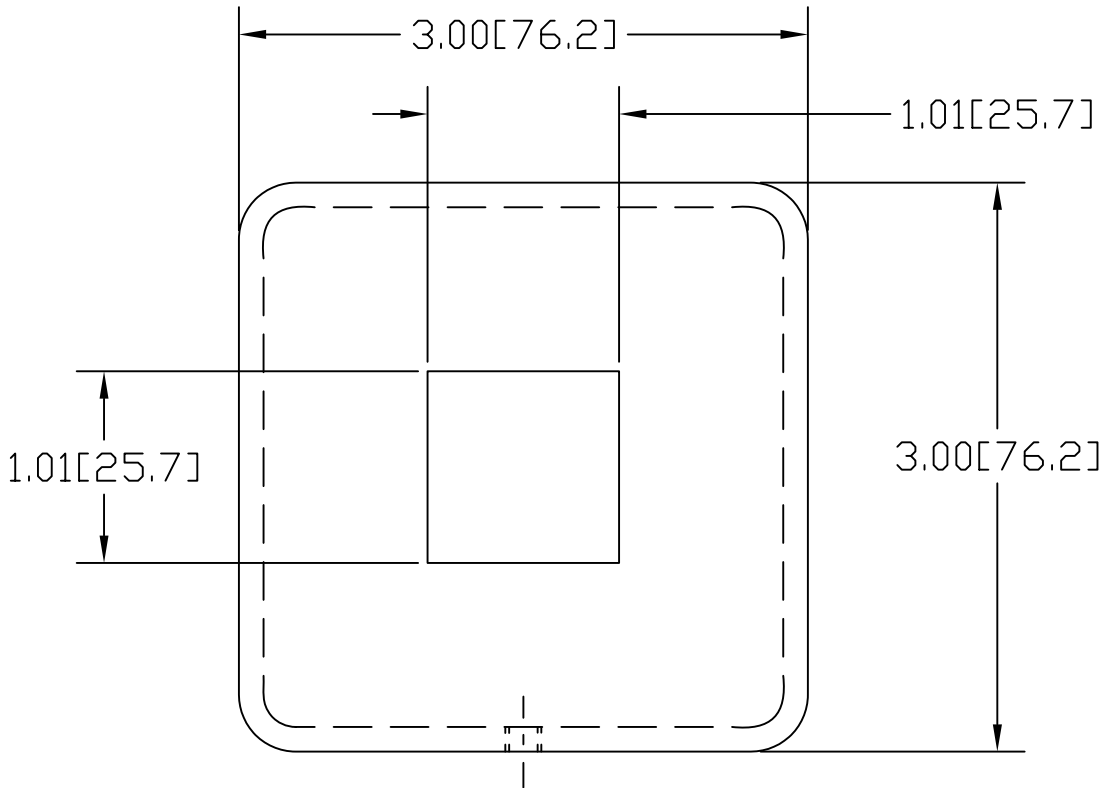



REV
SH
DWG NO 8711

REVISIONS			
REV	DESCRIPTION	DATE	APPROVED



INCHES [MILLIMETERS]

ALTERNATE MATERIAL	PART NUMBER
.125 (3003) ALUMINUM ASTM B209	8781
10 GA. (304) STAINLESS STEEL ASTM A240	8851

PART NAME		1" SQUARE TUBE HFB FLANGE		
MATERIAL		10 GA. HRP&O STEEL ASTM A569		
DATE	6/20/95	 R & B WAGNER, INC.		
DRAWN BY	RJF			
FINISH	MILL	SIZE	WEIGHT	PART NUMBER
		A	.42 LBS	8711
				REV