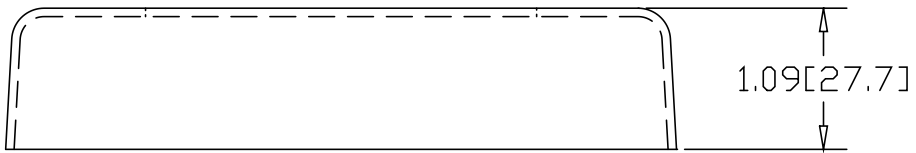
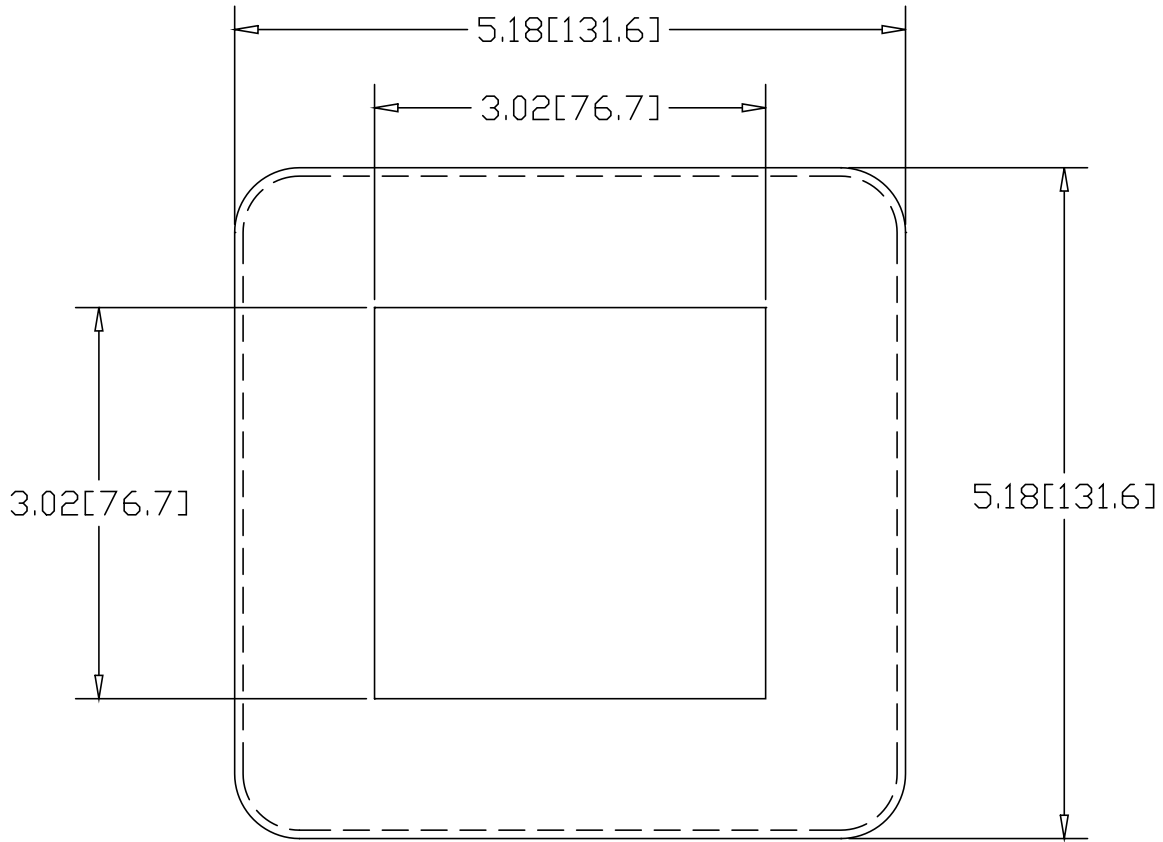



REV
SH
88064
DWG NO

REVISIONS			
REV	DESCRIPTION	DATE	APPROVED



INCHES [MILLIMETERS]

ALTERNATE MATERIAL	PART NUMBER
.063 (3003) ALUMINUM ASTM B-209	88034
16 GA. (304) STAINLESS STEEL ASTM A240	88004

PART NAME		3" SQUARE TUBE HFB FLANGE		
MATERIAL		16 GA. CR STEEL ASTM A366		
DATE	6/20/95	 R & B WAGNER, INC.		
DRAWN BY	RJF			
FINISH	MILL	SIZE	WEIGHT	PART NUMBER
		A	.57 LBS	88064
				REV