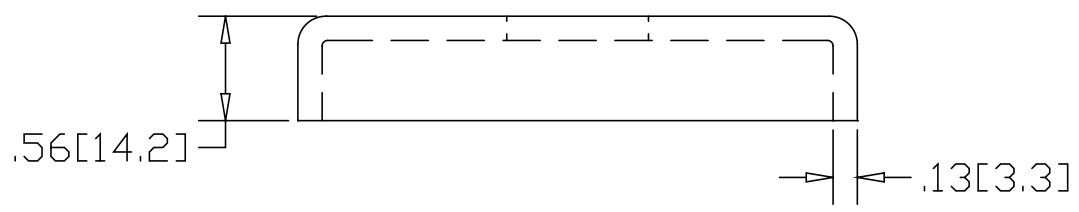
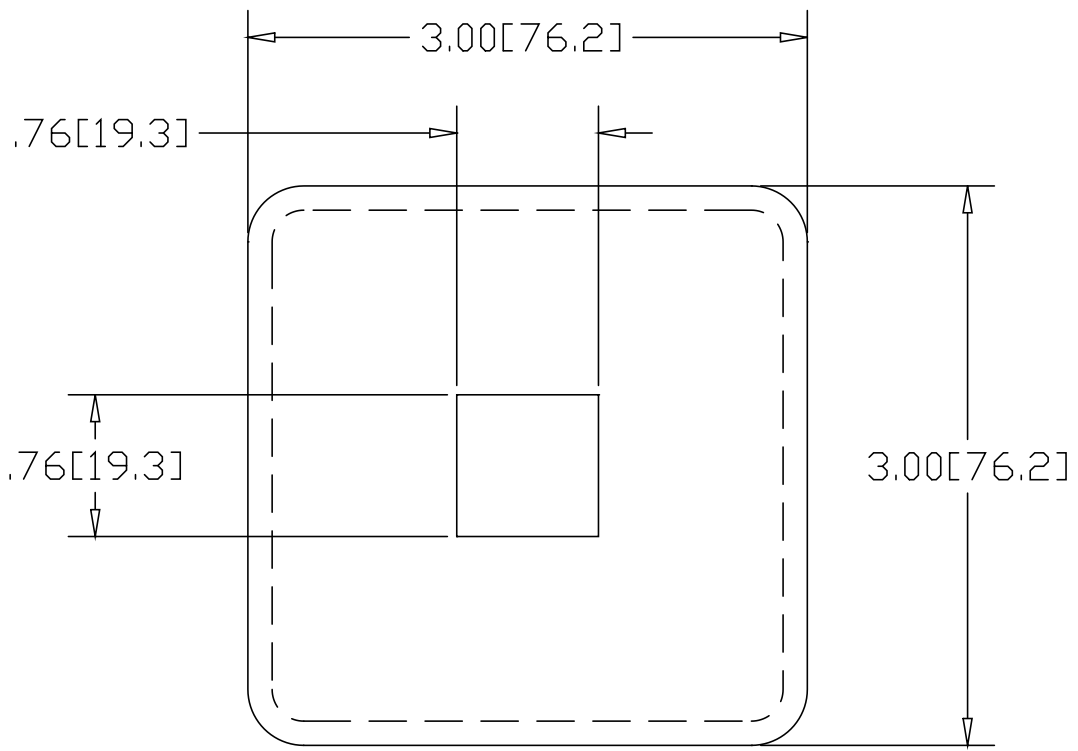



REV
SH
8701
DWG NO

REVISIONS			
REV	DESCRIPTION	DATE	APPROVED



INCHES [MILLIMETERS]

ALTERNATE MATERIAL		PART NUMBER			
.125 (3003) ALUMINUM ASTM B209		8771			
10 GA. (304) STAINLESS STEEL ASTM A240		8841			
PART NAME .75" SQUARE TUBE HFB FLANGE					
MATERIAL 10 GA. HRP&O STEEL ASTM A569					
DATE 6/20/95		 R & B WAGNER, INC.			
DRAWN BY RJF					
FINISH MILL		SIZE A	WEIGHT .42 LBS	PART NUMBER 8701	REV