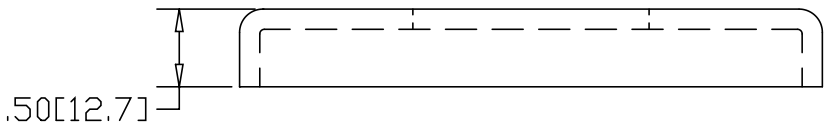
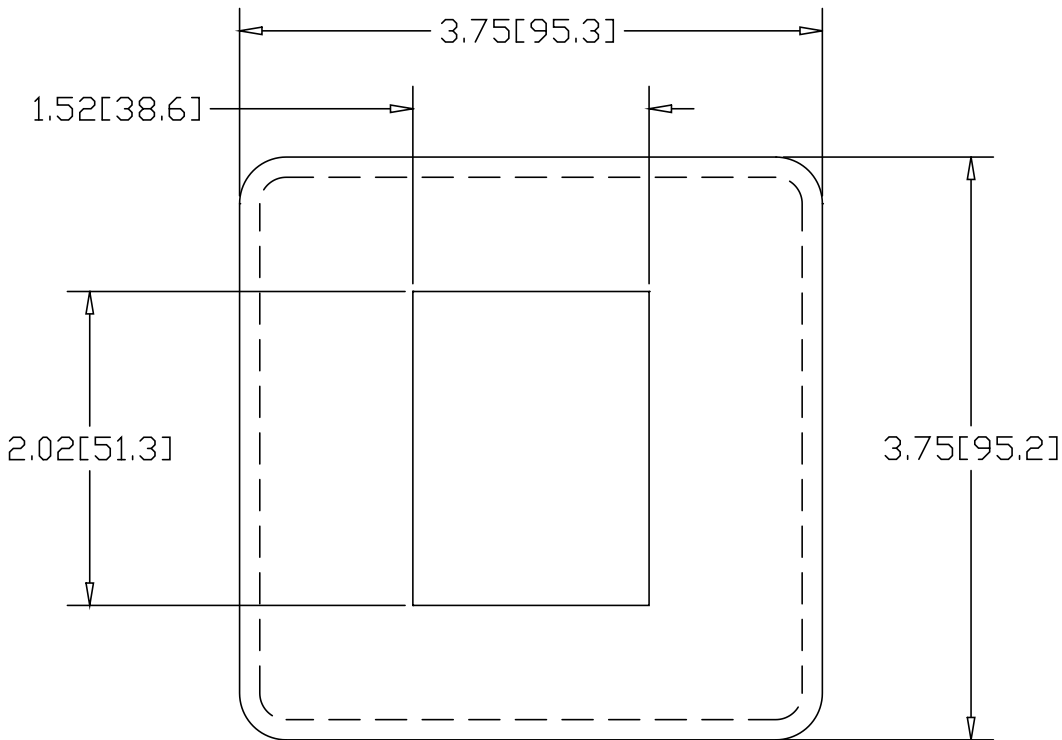



REV
SH
8764
DWG NO

REVISIONS			
REV	DESCRIPTION	DATE	APPROVED



INCHES [MILLIMETERS]

ALTERNATE MATERIAL	PART NUMBER
.125 (3003) ALUMINUM ASTM B-209	8834
10 GA. (304) STAINLESS STEEL ASTM A240	89004

PART NAME		2 X 1.50" RECT TUBE HFB FLANGE					
MATERIAL		10 GA. HRP&D STEEL ASTM A-569					
DATE	6/20/95	 R & B WAGNER, INC.					
DRAWN BY	RJF						
FINISH	MILL						
SIZE	A	WEIGHT	.56 LBS	PART NUMBER	8764	REV	