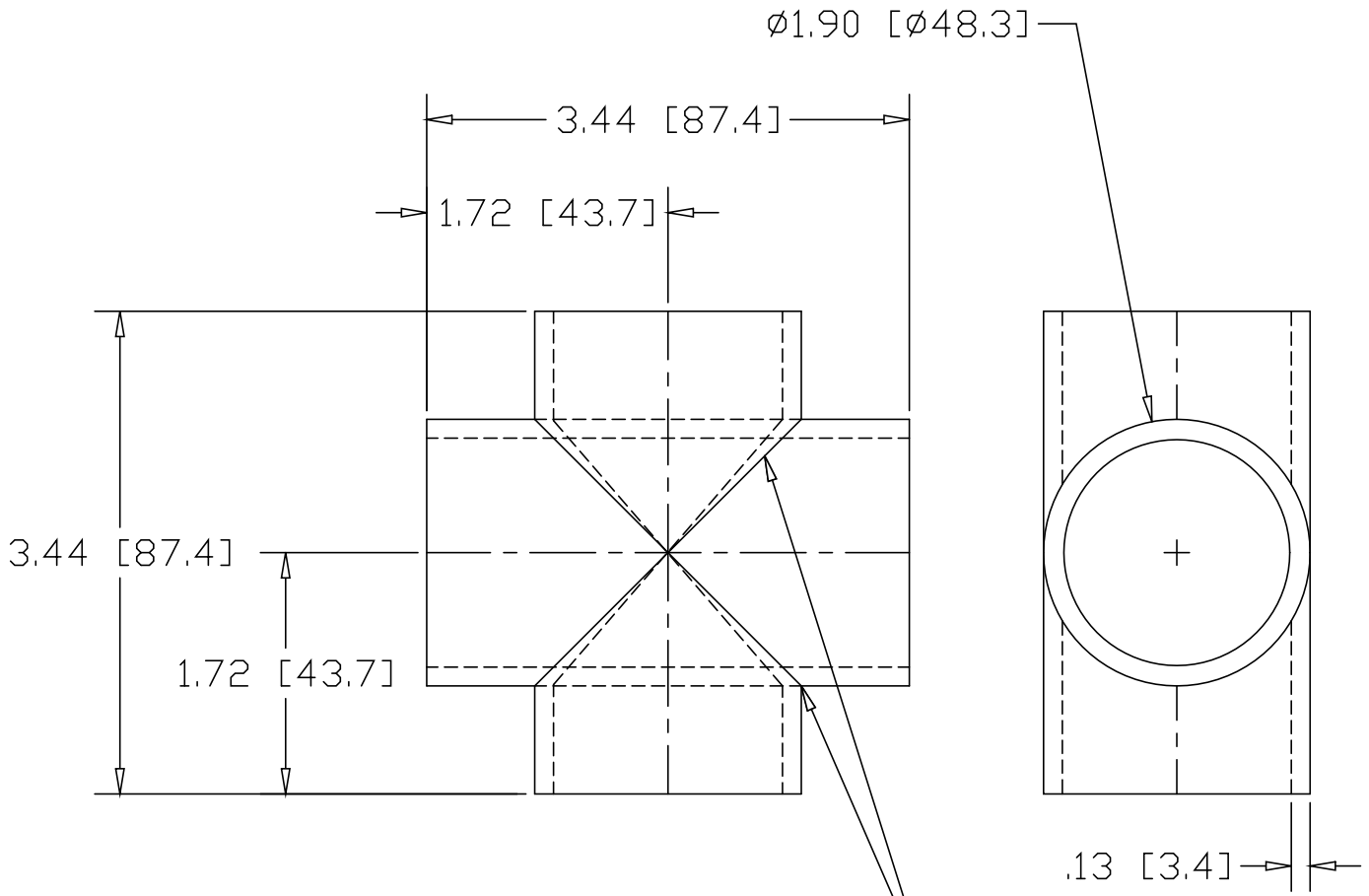



REV
SH
874
DWG NO

REVISIONS			
REV	DESCRIPTION	DATE	APPROVED



(2) STUBS WELDED ALL AROUND

INCHES [MILLIMETERS]

PART NAME		1-1/2" ALUMINUM CROSS					
MATERIAL		1-1/2 SCH40 ALUMINUM PIPE					
DATE	10/27/93	 R & B WAGNER, INC.					
DRAWN BY	RJF						
FINISH	MILL						
SIZE	A	WEIGHT	.35 lbs	PART NUMBER	874	REV	