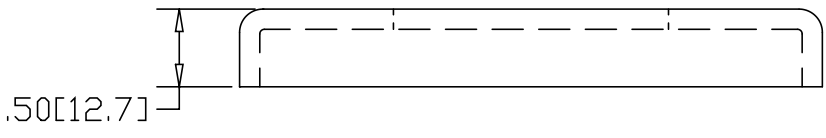
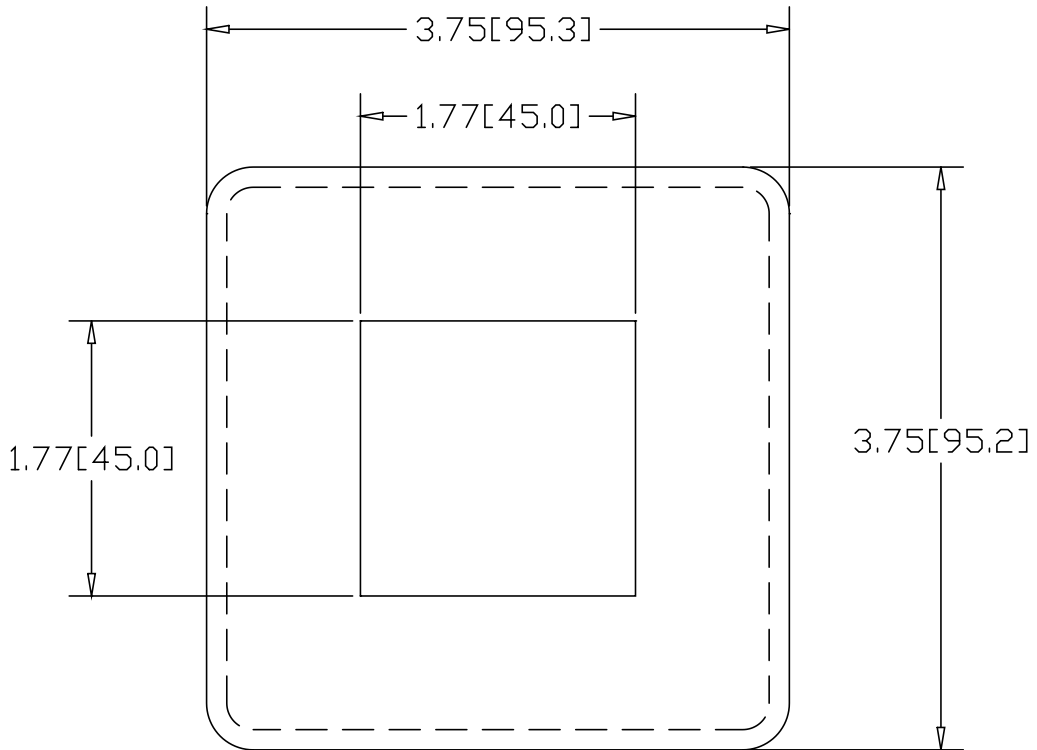



REV
SH
8734
DWG NO

REVISIONS			
REV	DESCRIPTION	DATE	APPROVED



INCHES [MILLIMETERS]

ALTERNATE MATERIAL	PART NUMBER
.125 (3003) ALUMINUM ASTM B-209	8804
10 GA. (304) STAINLESS STEEL ASTM A240	8874

PART NAME		1.75" SQUARE TUBE HFB FLANGE	
MATERIAL		10 GA. HRP&D STEEL ASTM A-569	
DATE	6/20/95	 R & B WAGNER, INC.	
DRAWN BY	RJF		
FINISH	MILL	SIZE	A
		WEIGHT	.56 LBS
		PART NUMBER	8734
		REV	