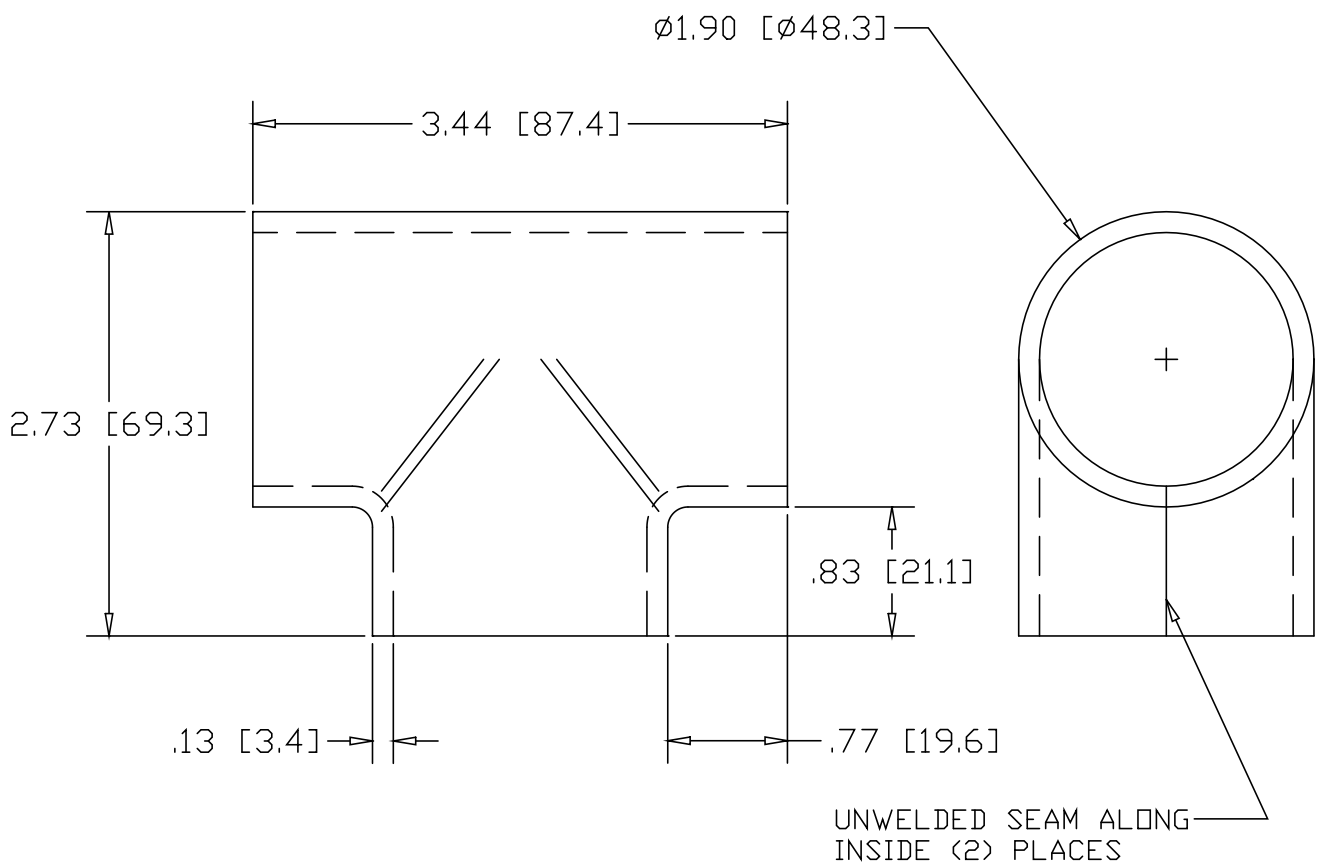



REV  
SH  
865  
DWG NO

REVISIONS			
REV	DESCRIPTION	DATE	APPROVED



INCHES [MILLIMETERS]

PART NAME		1-1/2" PIPE SIZE FLUSH WELD TEE			
MATERIAL		10 GA. HRP&D STEEL ASTM A569			
DATE	6/14/95	 <b>R &amp; B WAGNER, INC.</b>			
DRAWN BY	RJF				
FINISH	MILL	SIZE	WEIGHT	PART NUMBER	REV
		A	.9 LBS	865	