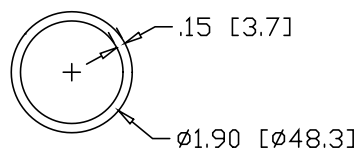
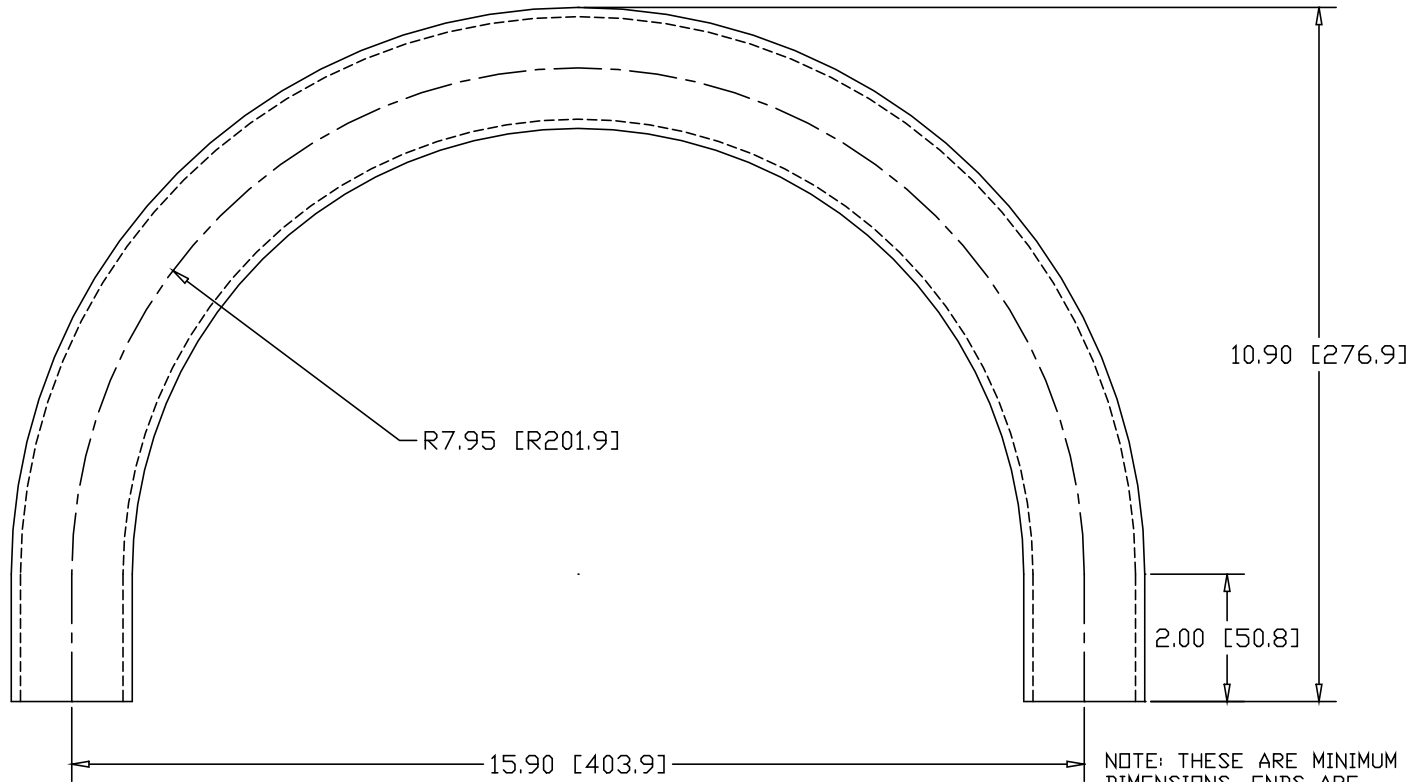


REV  
SH  
8613B  
DWG NO

REVISIONS			
REV	DESCRIPTION	DATE	APPROVED



NOTE: THESE ARE MINIMUM DIMENSIONS, ENDS ARE LEFT UNTRIMMED.

INCHES [MILLIMETERS]

ALTERNATE MATERIAL	PART NUMBER
1-1/2" SCH 40 (6063) ALUMINUM PIPE	8627B
1-1/2" SCH 40 (304) STAINLESS STEEL PIPE	8641B

PART NAME 1-1/2" PIPE SIZE 180° ELL X 7" I.R. W/ (2) 2" TANGENTS			
MATERIAL 1-1/2" SCH 40 A53 STEEL PIPE			
DATE 8/13/01			
DRAWN BY JAH			
FINISH MILL			
SIZE A	WEIGHT 8.77 LBS	PART NUMBER 8613B	REV