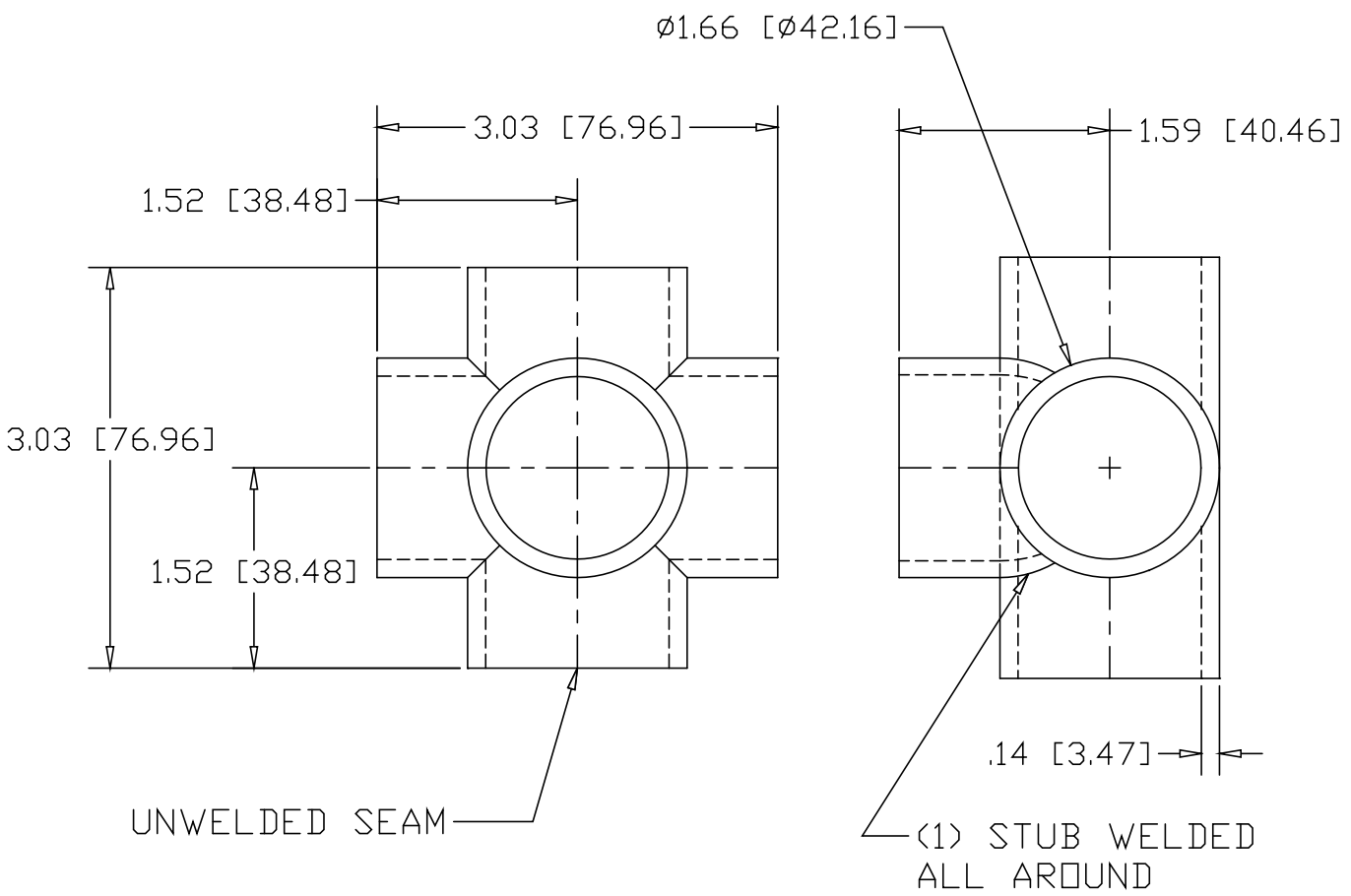



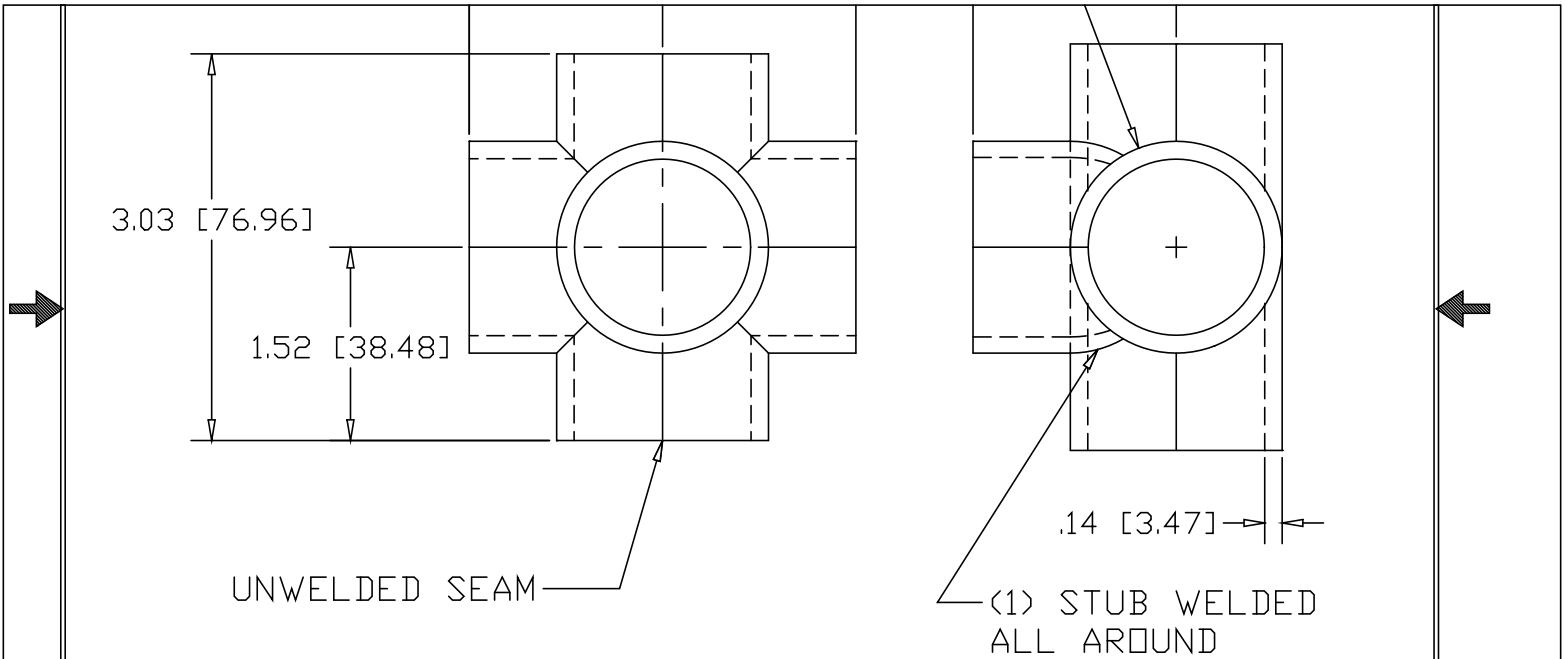
REV
SH
861
DWG NO

REVISIONS			
REV	DESCRIPTION	DATE	APPROVED



INCHES [MILLIMETERS]

PART NAME		1-1/4" STEEL SIDE-OUTLET CROSS			
MATERIAL		10 GA. HRP&D STEEL ASTM A569			
DATE	1/02/02	 R & B WAGNER, INC.			
DRAWN BY	JAH				
FINISH	MILL	SIZE	WEIGHT	PART NUMBER	REV
		A	.79 lbs	861	



INCHES [MILLIMETERS]

PART NAME	1-1/4" STEEL SIDE-OUTLET CROSS		
MATERIAL	10 GA. HRP&D STEEL ASTM A569		
DATE	1/02/02	WAGNER	R & B WAGNER, INC.
DRAWN BY	JAH		
FINISH		SIZE	WEIGHT
		PART NUMBER	REV.