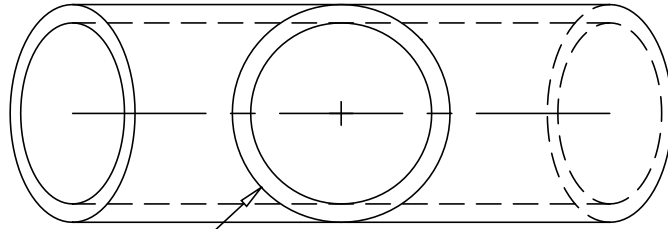
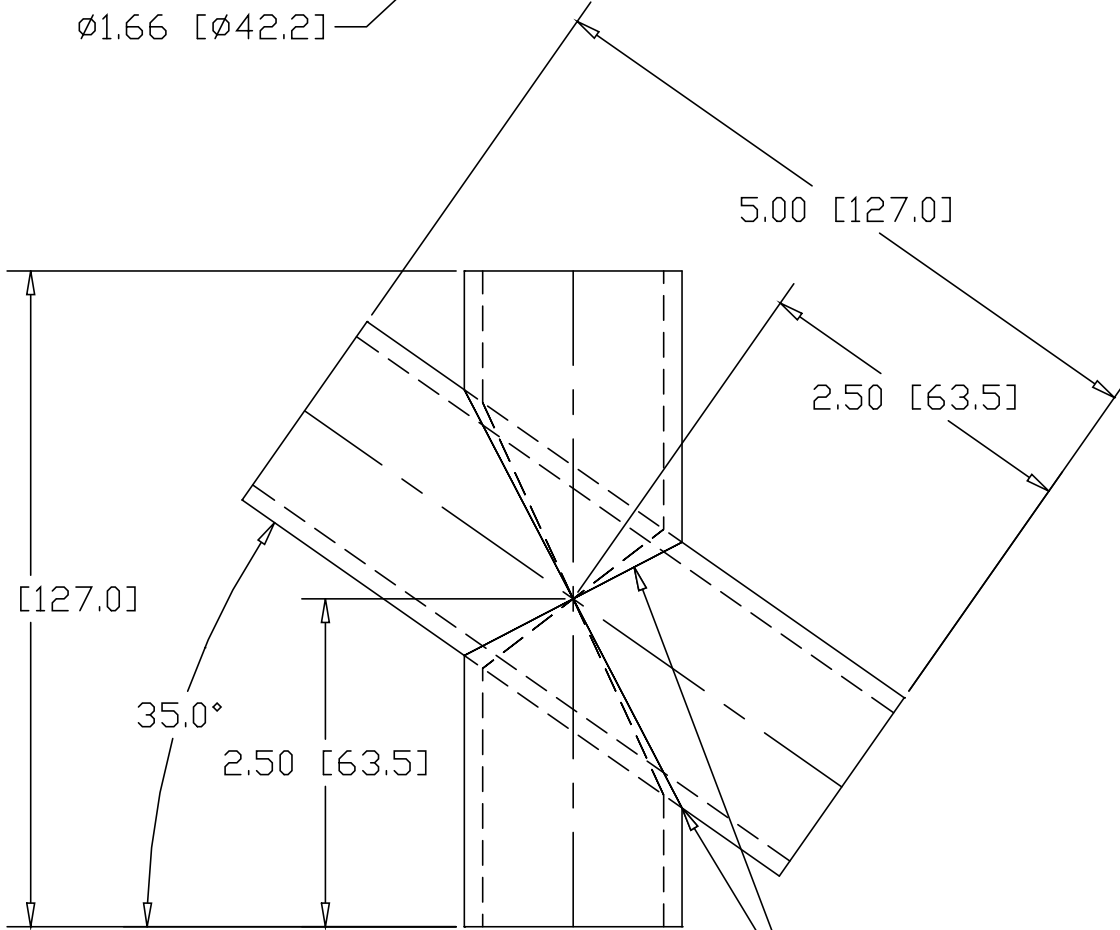


REV
SH
DWG NO 857-B

REVISIONS			
REV	DESCRIPTION	DATE	APPROVED




Ø1.66 [Ø42.2]



(2) STUBS WELDED
ALL AROUND

INCHES [MILLIMETERS]

PART NAME 1-1/4" PIPE 35 DEG. BEVELED CROSS			
MATERIAL 1-1/4" SCH 40 STEEL PIPE			
DATE 3/24/09		THE WAGNER COMPANIES R & B WAGNER, INC. AND J. G. BRAUN CO.	
DRAWN BY DGP			
FINISH MILL	SIZE A	WEIGHT .82	PART NUMBER 857-B
			REV

