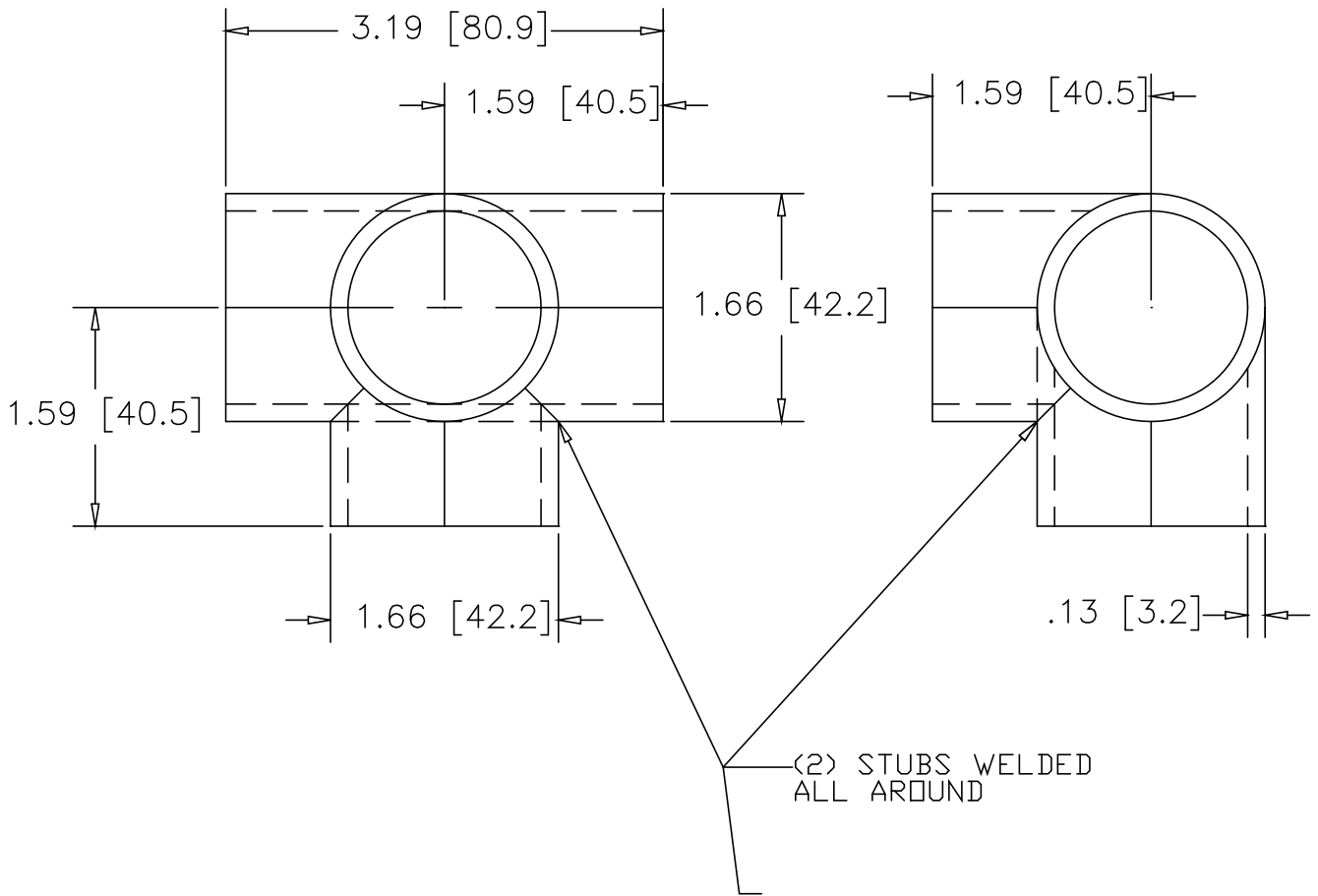



REV
SH
854
DWG NO

REVISIONS			
REV	DESCRIPTION	DATE	APPROVED



INCHES [MILLIMETERS]

PART NAME		1-1/4" ALUMINUM SIDE OUTLET TEE					
MATERIAL		1-1/4" SCH40 ALUMINUM PIPE					
DATE	1/03/02	 THE WAGNER COMPANIES R & B WAGNER, INC. AND J. G. BRAUN CO.					
DRAWN BY	JAH						
FINISH	MILL						
SIZE	A	WEIGHT	.30- lbs	PART NUMBER	854	REV	