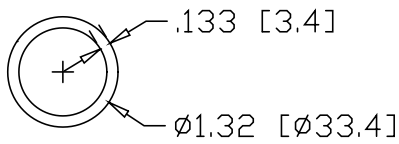
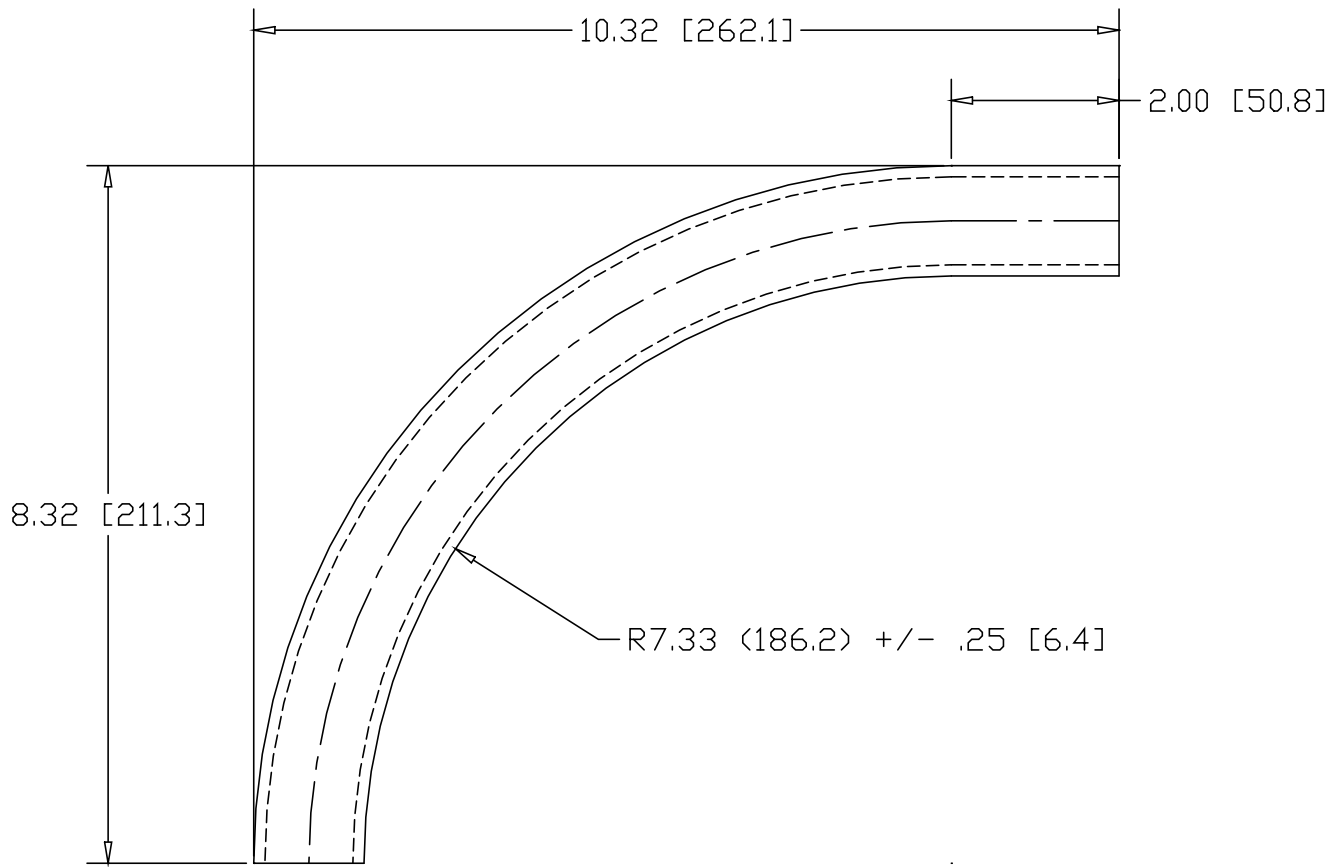



REV  
SH  
8507  
DWG NO

REVISIONS			
REV	DESCRIPTION	DATE	APPROVED
1	UPDATED CLR TO REFLECT PRODUCTION TOOL OUTPUT	03/17/10	PWH



INCHES [MILLIMETERS]

PART NAME 1" PIPE SIZE 90° ELL X 7" I.R. W/ (1) 2" TANGENT			
MATERIAL 1" SCH 40 A53 STEEL PIPE			
DATE 8/9/01	 <b>THE WAGNER COMPANIES</b> R & B WAGNER, INC. AND J. G. BRAUN CO.		
DRAWN BY JAH			
FINISH MILL			
SIZE A	WEIGHT 1.99 LBS	PART NUMBER 8507	REV