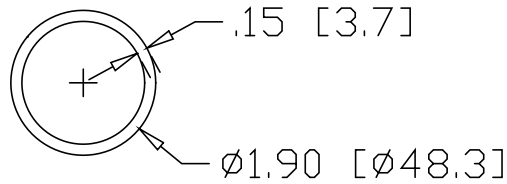
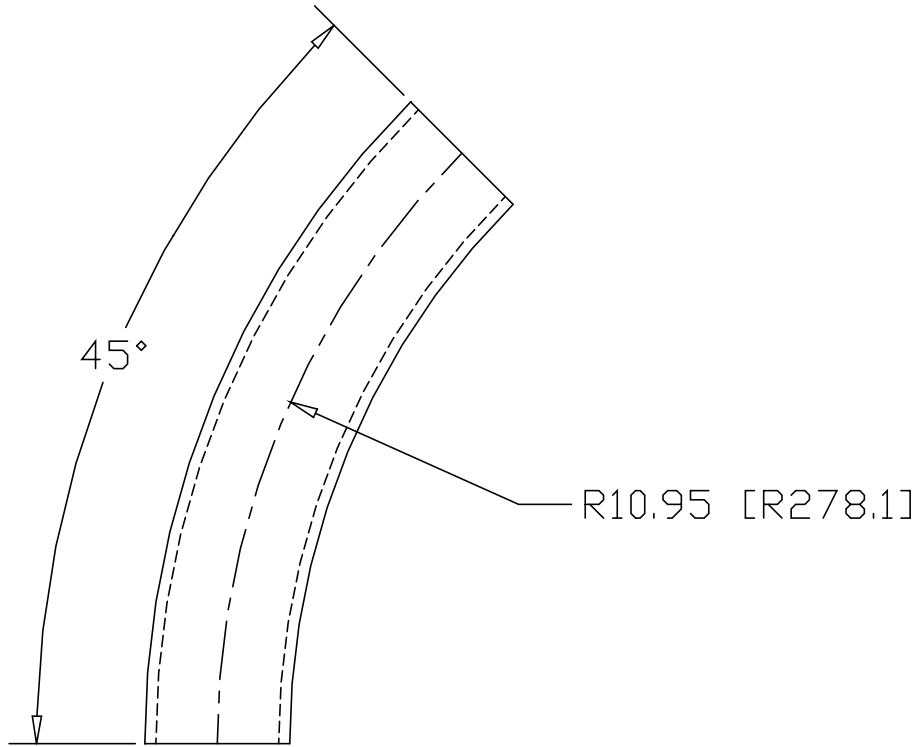



REV
SH
8302
DWG NO

| REVISIONS | | | |
|-----------|-------------|------|----------|
| REV | DESCRIPTION | DATE | APPROVED |



INCHES [MILLIMETERS]

| ALTERNATE MATERIAL | PART NUMBER |
|--|-------------|
| 1-1/2" SCH 40 (6063) ALUMINUM PIPE | 8316 |
| 1-1/2" SCH 40 (304) STAINLESS STEEL PIPE | 8330 |

| | | | | | | |
|-----------|--------|---|----------|-------------|------|-----|
| PART NAME | | 1-1/2" PIPE SIZE 45° ELL X 10" I.R. | | | | |
| MATERIAL | | 1-1/2" SCH 40 A53 STEEL PIPE | | | | |
| DATE | 8/7/01 |  R & B WAGNER, INC. | | | | |
| DRAWN BY | JAH | | | | | |
| FINISH | MILL | | | | | |
| SIZE | A | WEIGHT | 1.95 LBS | PART NUMBER | 8302 | REV |