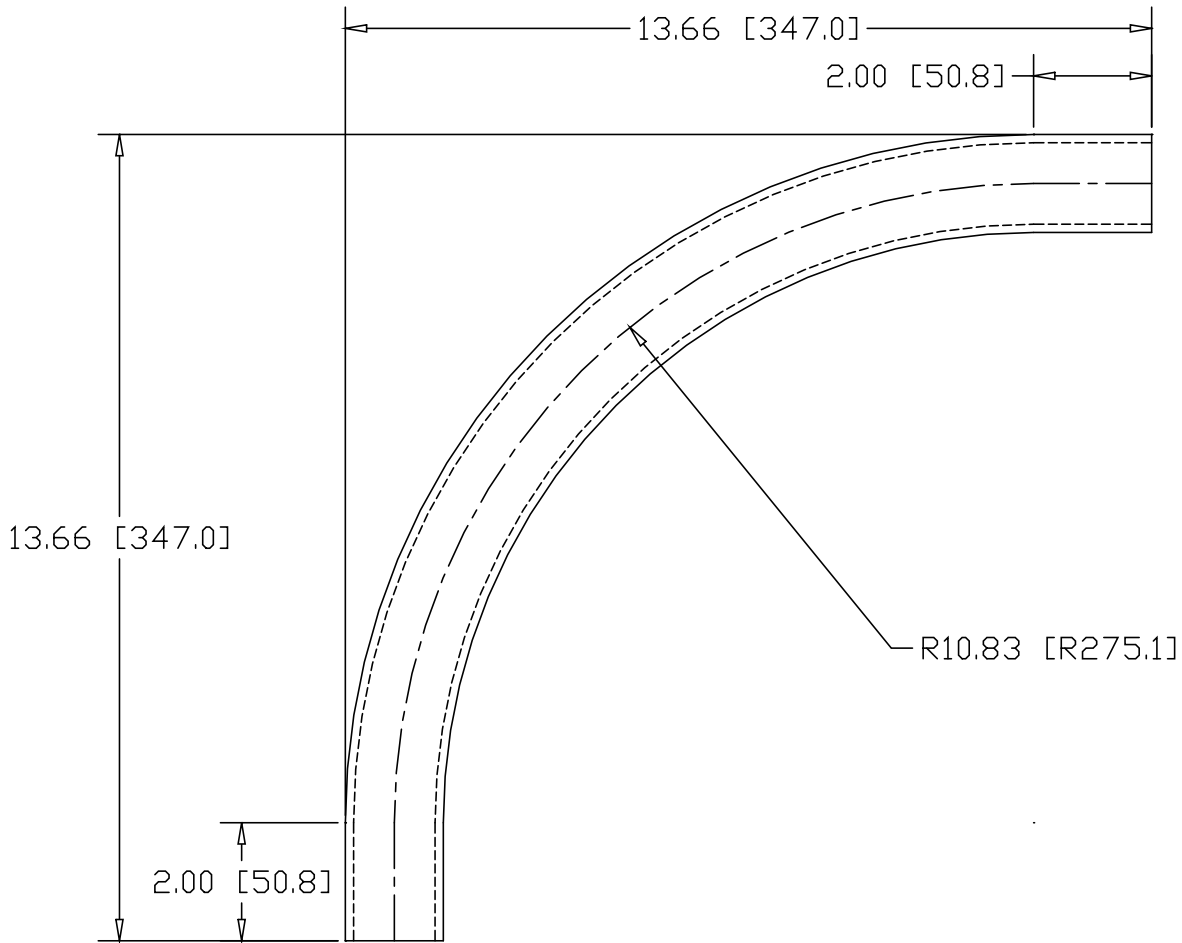



REV
SH
8258
DWG NO

| REVISIONS | | | |
|-----------|-------------|------|----------|
| REV | DESCRIPTION | DATE | APPROVED |



INCHES [MILLIMETERS]

| ALTERNATE MATERIAL | PART NUMBER |
|--|-------------|
| 1-1/4" SCH 40 (6063) ALUMINUM PIPE | 8272 |
| 1-1/4" SCH 40 (304) STAINLESS STEEL PIPE | 8286 |

| | | | |
|--|---|--------------------|-----------------|
| PART NAME 1-1/4" PIPE SIZE 90° ELL X 10" I.R. W/ (2) 2" TANGENTS | | | |
| MATERIAL 1-1/4" SCH 40 A53 STEEL PIPE | | | |
| DATE 8/7/01 |  | R & B WAGNER, INC. | |
| DRAWN BY JAH | | SIZE A | WEIGHT 4.00 LBS |
| FINISH MILL | | | REV |