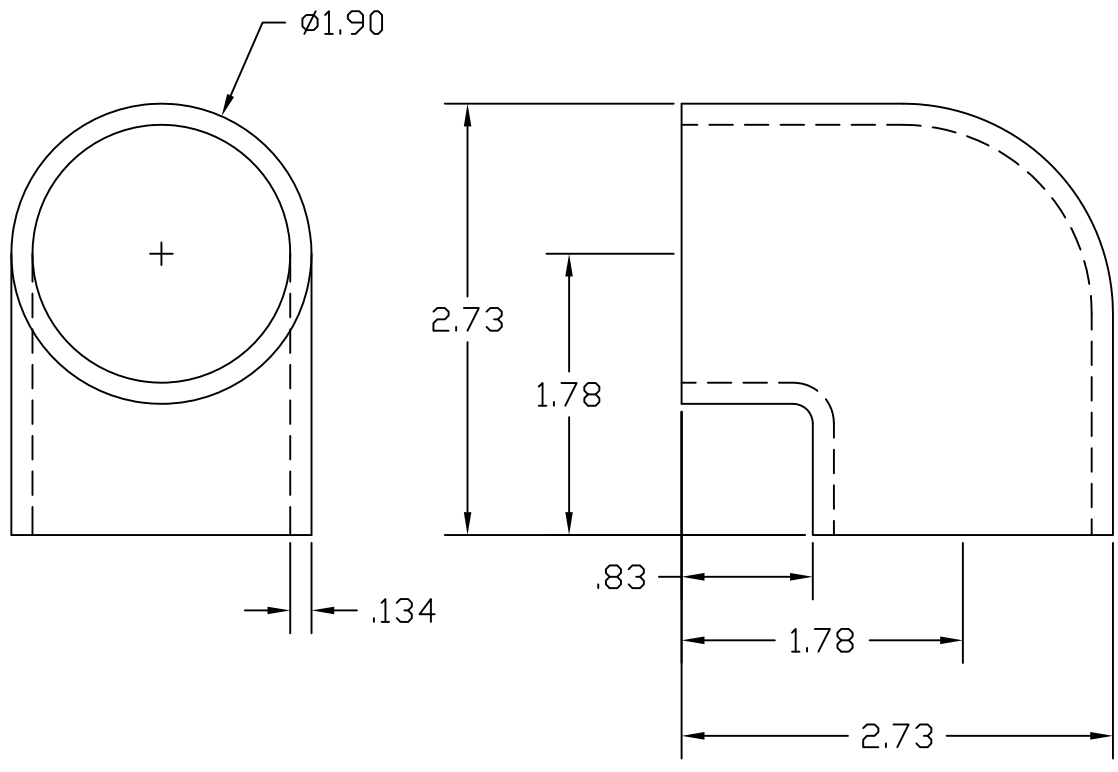



REV
SH
820
DWG NO

REVISIONS			
REV	DESCRIPTION	DATE	APPROVED



ALTERNATE MATERIAL	PART NUMBER
.125 (3003) ALUMINUM ASTM B209	824
10 GA. (304) STAINLESS STEEL ASTM A240	828

PART NAME		1-1/2" PIPE SIZE 1/8" I.R. ELL		
MATERIAL		10 GA. HRP&D STEEL ASTM A569		
DATE	6/13/95	 R & B WAGNER, INC.		
DRAWN BY	RJF			
FINISH	MILL	SIZE	WEIGHT	PART NUMBER
		A	.67 LBS	820
				REV