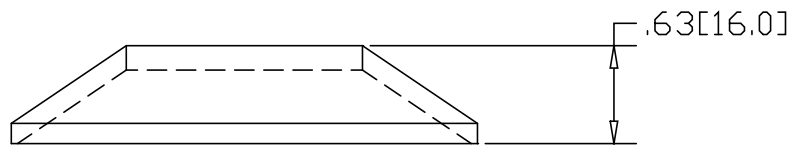
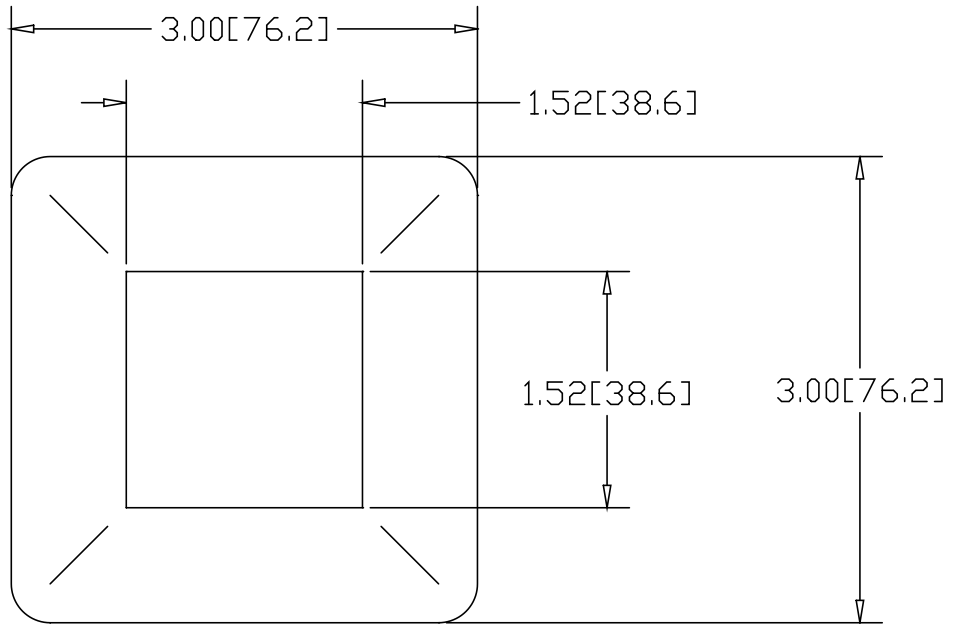



REV  
SH  
8083  
DWG NO

| REVISIONS |             |      |          |
|-----------|-------------|------|----------|
| REV       | DESCRIPTION | DATE | APPROVED |



INCHES [MILLIMETERS]

| ALTERNATE MATERIAL             | PART NUMBER |
|--------------------------------|-------------|
| .125 (3003) ALUMINUM ASTM B209 | 8084        |

|           |         |   |         |             |     |
|-----------|---------|---|---------|-------------|-----|
| PART NAME |         | 1-1/2" SQUARE POST COVER PLATE  |         |             |     |
| MATERIAL  |         | 10 GA. HRP&D STEEL ASTM A569  |         |             |     |
| DATE      | 9/17/96 |  <b>R &amp; B WAGNER, INC.</b> |         |             |     |
| DRAWN BY  | RJF     |   |         |             |     |
| FINISH    | MILL    | SIZE  | WEIGHT  | PART NUMBER | REV |
|           |         | A   | .28 LBS | 8083        |     |