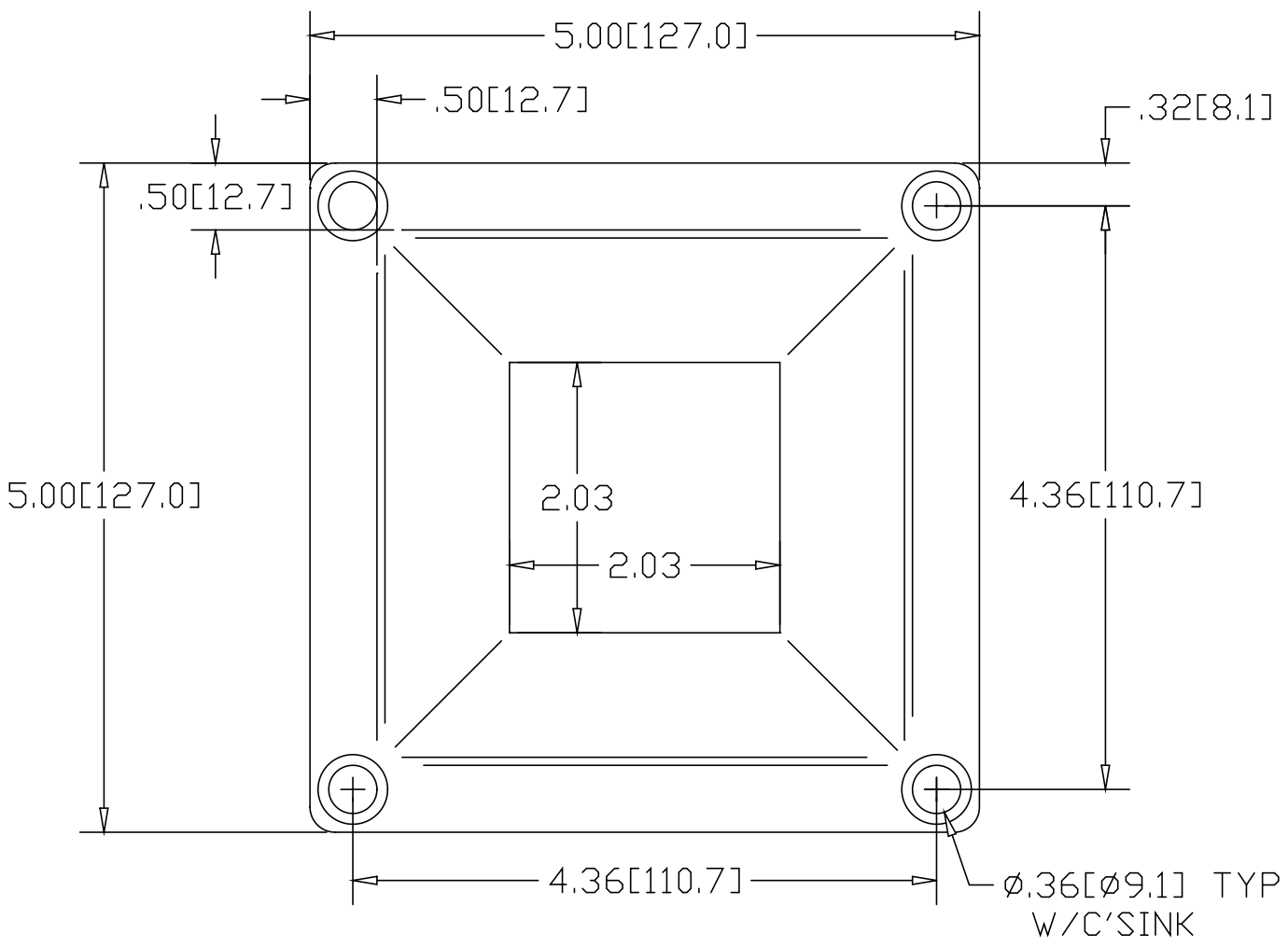


REV
SH
8051
DWG NO


REVISIONS			
REV	DESCRIPTION	DATE	APPROVED



*USE WITH ANCHOR PLATE
 #8043 IN STEEL
 #8044 IN ALUMINUM

INCHES [MILLIMETERS]

ALTERNATE MATERIAL	PART NUMBER
.190 (3003) ALUMINUM ASTM B209	8052

PART NAME		2" SQUARE TUBE FLANGE	
MATERIAL		7 GA. HRP&D STEEL ASTM A569	
DATE	6/12/96	 R & B WAGNER, INC.	
DRAWN BY	RJF		
FINISH	MILL	SIZE	A
		WEIGHT	1.2 LBS
		PART NUMBER	8051
		REV	