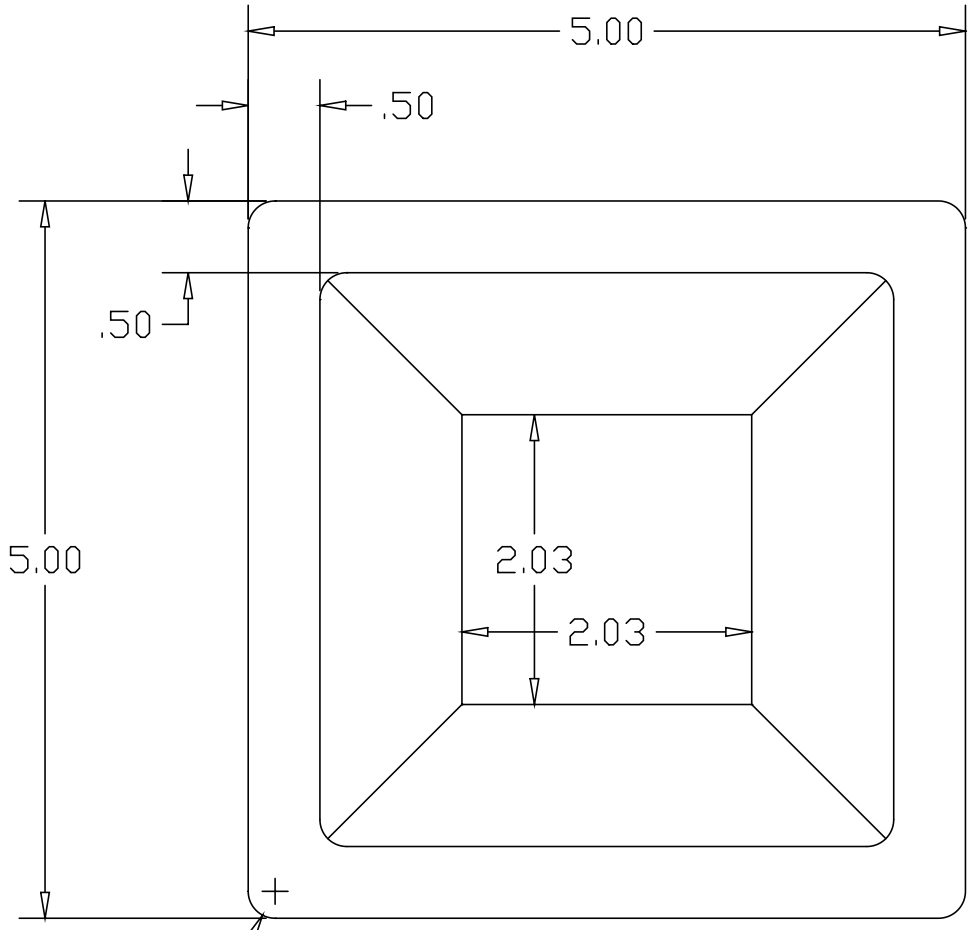
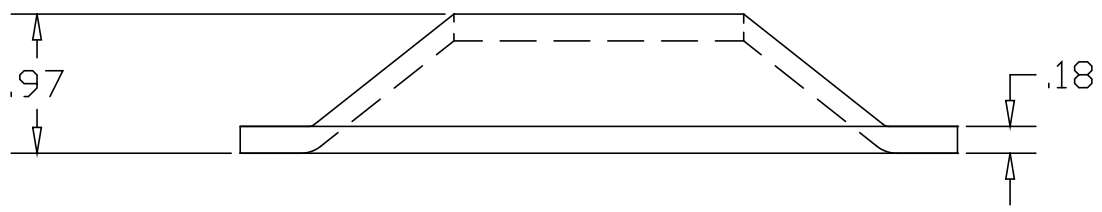



REV  
SH  
DWG NO 8052-NH

REVISIONS			
REV	DESCRIPTION	DATE	APPROVED



R.19 TYP



MATERIAL 3/16" 3003-H112 ALUMINUM		PART NAME SQUARE TUBE FLANGE	
DATE 9/24/92	 <b>R &amp; B WAGNER, INC.</b>		
DRAWN BY RJF			
FINISH	SIZE A	JOB NUMBER	PART NUMBER 8052-NH
			REV