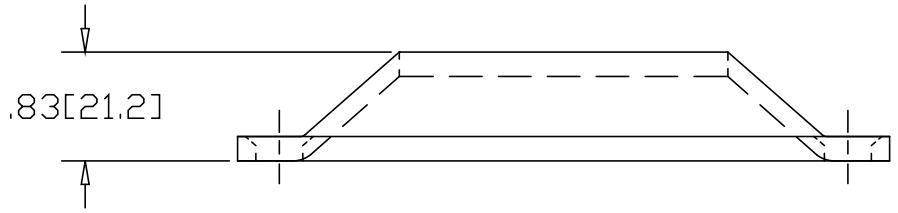
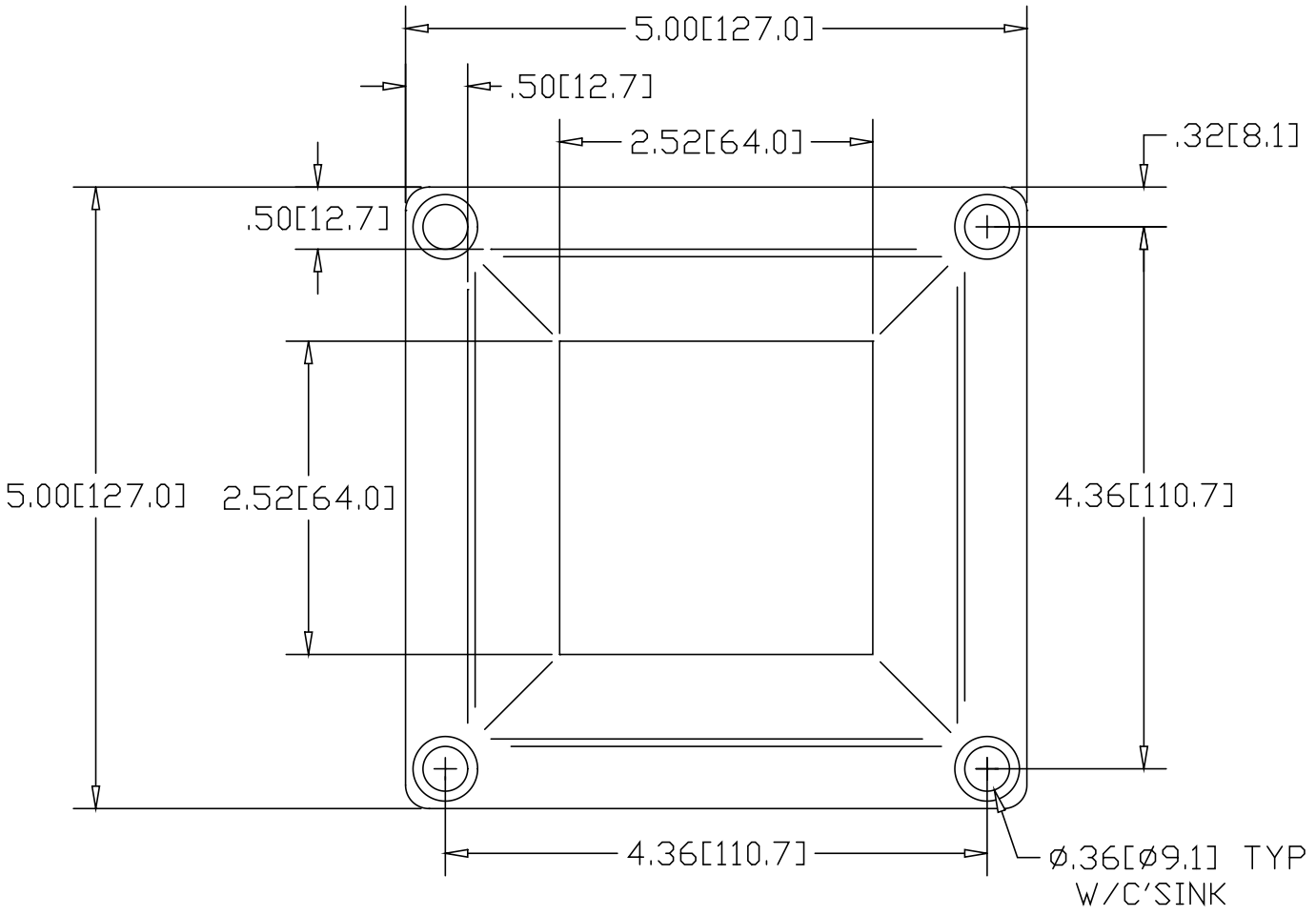


REV
SH
8049
DWG NO


| REVISIONS | | | |
|-----------|-------------|------|----------|
| REV | DESCRIPTION | DATE | APPROVED |



*USE WITH ANCHOR PLATE
#8043 IN STEEL
#8044 IN ALUMINUM

INCHES [MILLIMETERS]

| ALTERNATE MATERIAL | PART NUMBER |
|--------------------------------|-------------|
| .190 (3003) ALUMINUM ASTM B209 | 8050 |

| | | | |
|-----------|---------|---|----------|
| PART NAME | | 2.50" SQUARE TUBE FLANGE | |
| MATERIAL | | 7 GA. HRP&D STEEL ASTM A569 | |
| DATE | 6/12/96 |  R & B WAGNER, INC. | |
| DRAWN BY | RJF | | |
| FINISH | MILL | SIZE | A |
| | | WEIGHT | 1.00 LBS |
| | | PART NUMBER | 8049 |
| | | REV | |