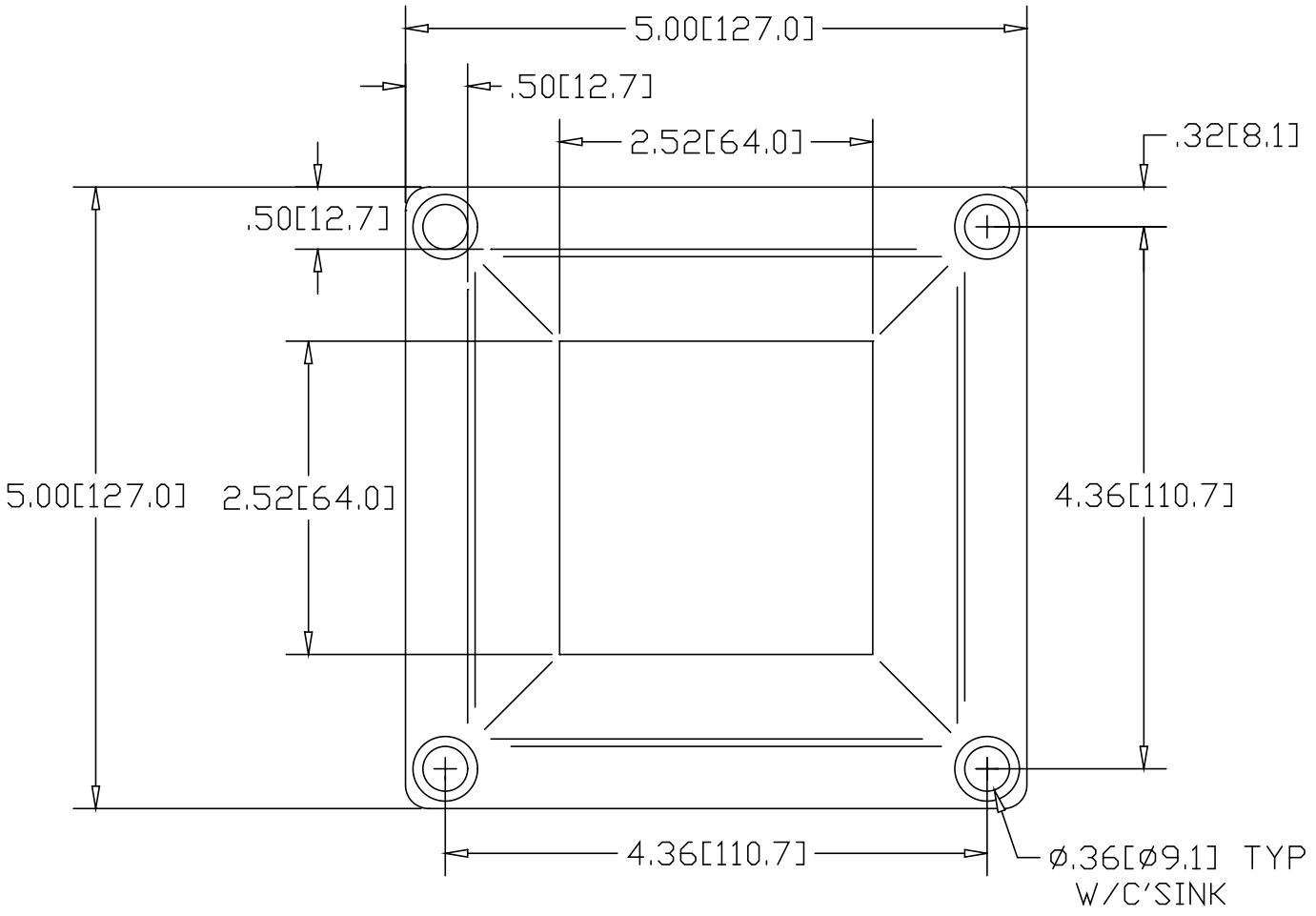


REV  
SH  
8049  
DWG NO


REVISIONS			
REV	DESCRIPTION	DATE	APPROVED



\*USE WITH ANCHOR PLATE  
#8043 IN STEEL  
#8044 IN ALUMINUM

INCHES [MILLIMETERS]

ALTERNATE MATERIAL	PART NUMBER
.190 (3003) ALUMINUM ASTM B209	8050

PART NAME		2.50" SQUARE TUBE FLANGE	
MATERIAL		7 GA. HRP&D STEEL ASTM A569	
DATE	6/12/96	 <b>R &amp; B WAGNER, INC.</b>	
DRAWN BY	RJF		
FINISH	MILL	SIZE	A
		WEIGHT	1.00 LBS
		PART NUMBER	8049
		REV	