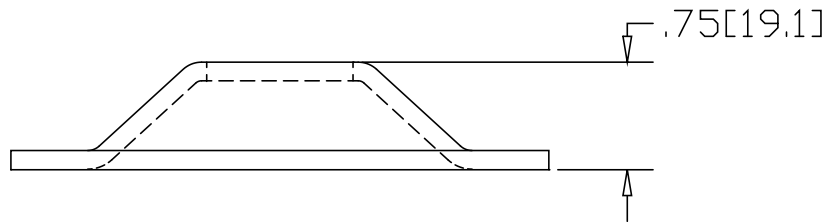
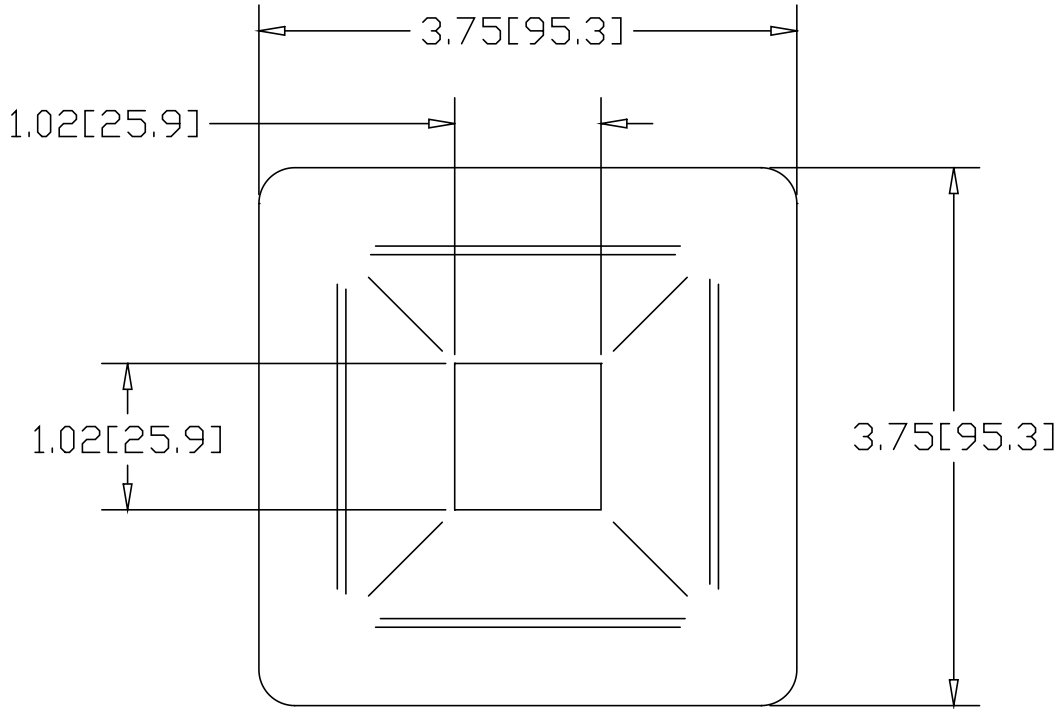



REV  
SH  
8041-NH  
DWG NO

REVISIONS			
REV	DESCRIPTION	DATE	APPROVED



INCHES [MILLIMETERS]

ALTERNATE MATERIAL	PART NUMBER
.125 (3003) ALUMINUM ASTM B209	8042-NH

PART NAME		1" SQUARE TUBE FLANGE			
MATERIAL		10 GA. HRP&D STEEL ASTM A569			
DATE	7/24/96	 <b>R &amp; B WAGNER, INC.</b>			
DRAWN BY	RJF				
FINISH	MILL	SIZE	WEIGHT	PART NUMBER	REV
		A	.53 LBS	8041-NH	