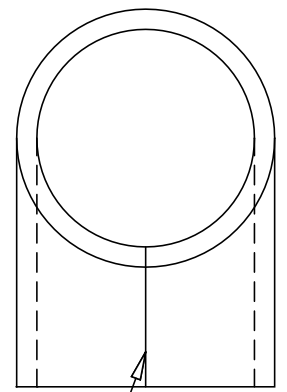
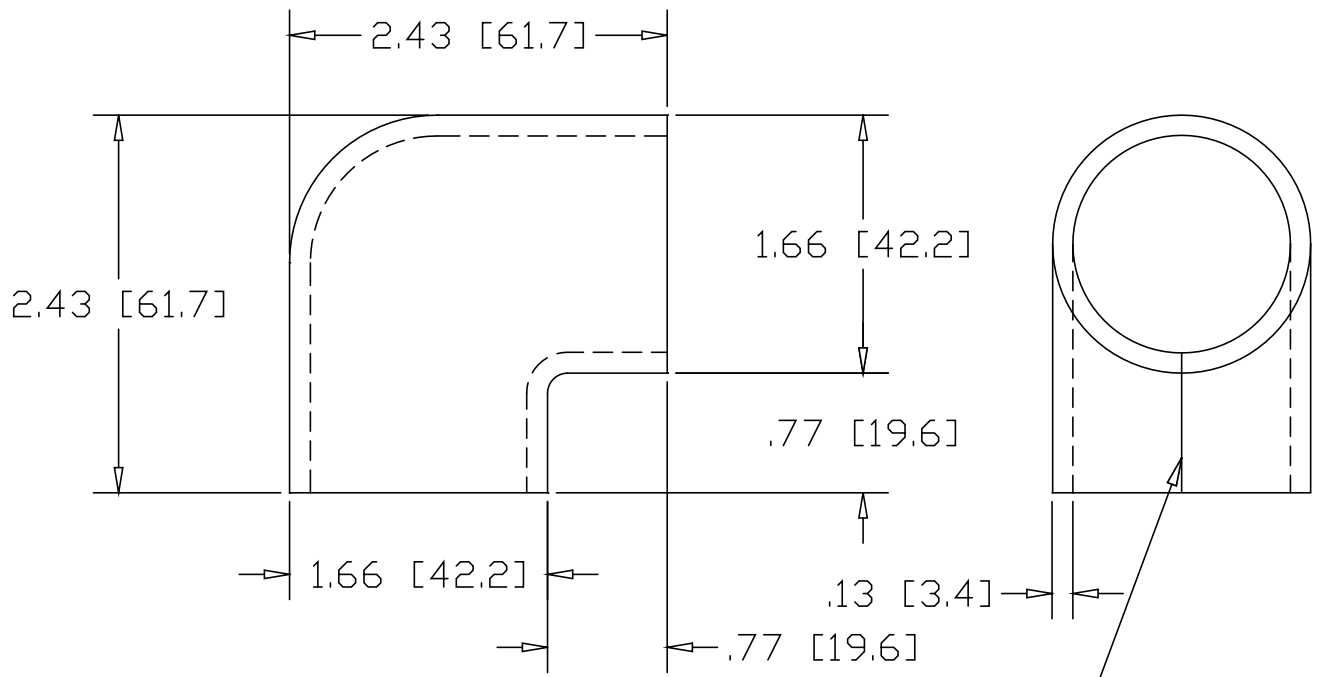
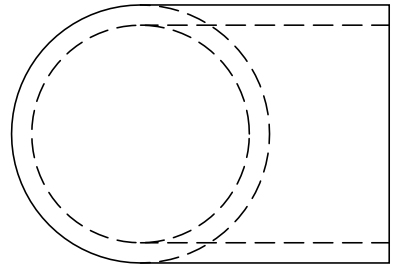


REV
SH
801
DWG NO


REVISIONS			
REV	DESCRIPTION	DATE	APPROVED



UNWELDED SEAM
ALONG INSIDE

INCHES [MILLIMETERS]

ALTERNATE MATERIAL	PART NUMBER
.125 (3003) ALUMINUM ASTM B209	806
10 GA. (304) STAINLESS STEEL ASTM A240	810

PART NAME		1-1/4" PIPE SIZE 1/8" INSIDE RADIUS ELL					
MATERIAL		10 GA. HRP&D STEEL ASTM A569					
DATE	6/14/95	 THE WAGNER COMPANIES R & B WAGNER, INC. AND J. G. BRAUN CO.					
DRAWN BY	RJF						
FINISH	MILL						
SIZE	A	WEIGHT	.54 LBS	PART NUMBER	801	REV	