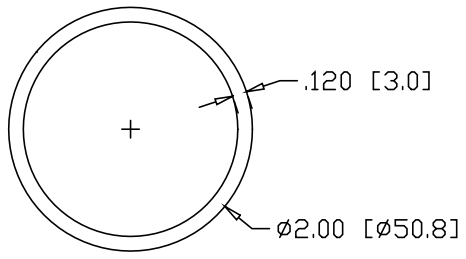
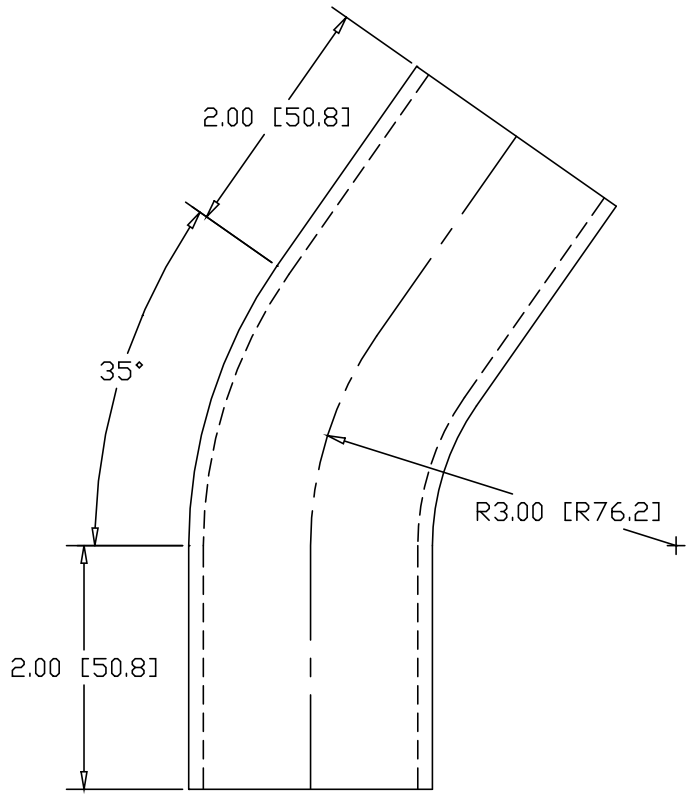



REV
SH
7951
DWG NO

REVISIONS			
REV	DESCRIPTION	DATE	APPROVED



INCHES [MILLIMETERS]

ALTERNATE MATERIAL	PART NUMBER
2" O.D. X .125W (6061) ALUMINUM TUBE	7967
2" O.D. X .120W (304) STAINLESS STEEL TUBE	7983

PART NAME 2" O.D. TUBE 35° ELL X 3"CLR W/ (2) 2" TANGENTS			
MATERIAL 2" O.D. X .120W STEEL TUBE			
DATE 8/24/00		R & B WAGNER, INC.	
DRAWN BY RJF		SIZE A	WEIGHT 1.18 LBS
FINISH MILL			REV