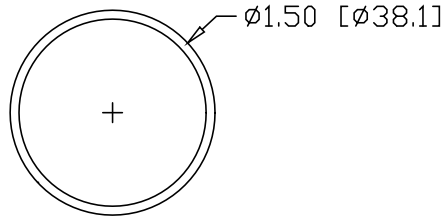
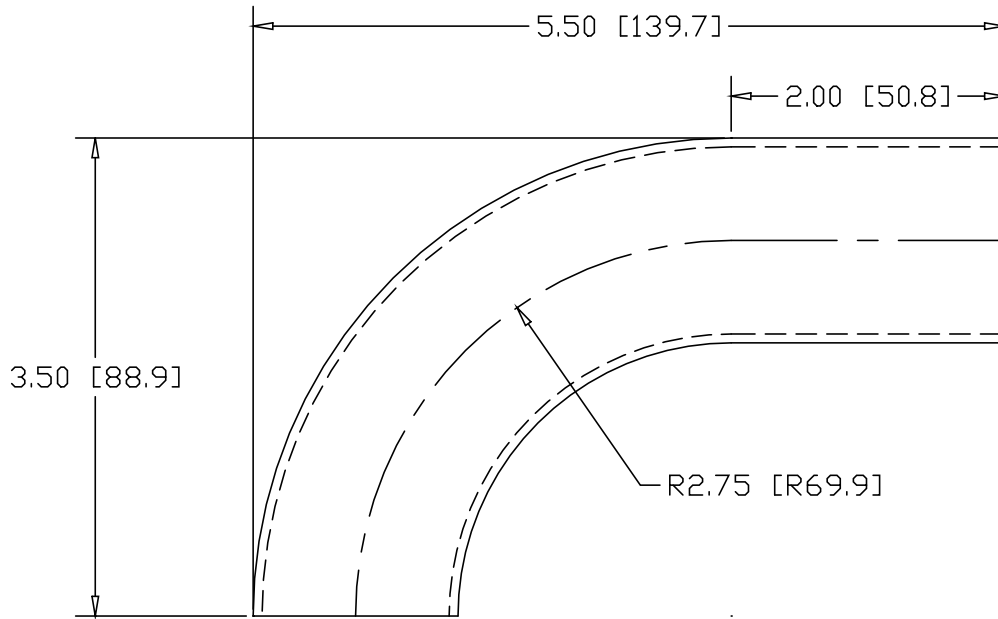



REV
SH
7907
DWG NO

REVISIONS			
REV	DESCRIPTION	DATE	APPROVED



INCHES [MILLIMETERS]

ALTERNATE MATERIAL	PART NUMBER
1.50" Ø.D. X .125W (6061-T1) ALUMINUM TUBE	7923
1.50" Ø.D. X .065W (304) STAINLESS STEEL TUBE	7939

PART NAME 1.50" Ø.D. TUBE 90° ELL X 2.75" CLR W/(1) 2" TANGENT			
MATERIAL 1.50" Ø.D. X .065W STEEL TUBE			
DATE 8/15/00		R & B WAGNER, INC.	
DRAWN BY RJF			
FINISH MILL		SIZE A	WEIGHT .53 LBS
			REV