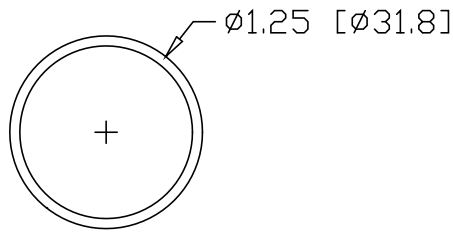
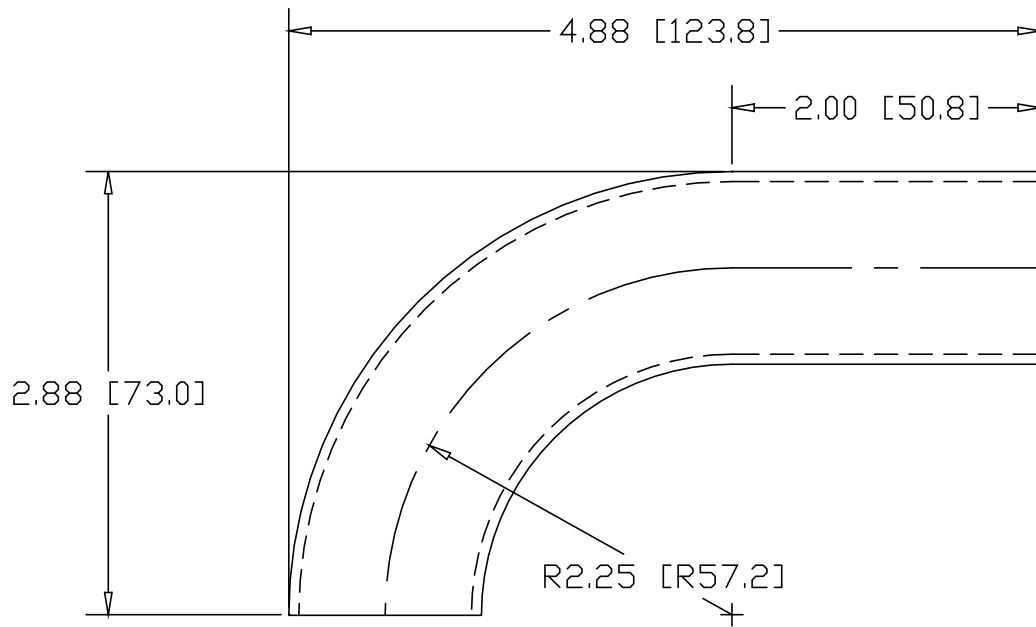



REV
SH
7857
DWG NO

REVISIONS			
REV	DESCRIPTION	DATE	APPROVED



INCHES [MILLIMETERS]

ALTERNATE MATERIAL	PART NUMBER
1.25" O.D. X .125W (6061-T1) ALUMINUM TUBE	7873
1.25" O.D. X .065W (304) STAINLESS STEEL TUBE	7889T

PART NAME 1.25" O.D. TUBE 90° ELL X 2.25" CLR W/(1) 2" TANGENT				
MATERIAL 1.25" O.D. X .065W STEEL TUBE				
DATE 8/15/00	 R & B WAGNER, INC.			
DRAWN BY RJF				
FINISH MILL	SIZE A	WEIGHT .38 LBS	PART NUMBER 7857	REV