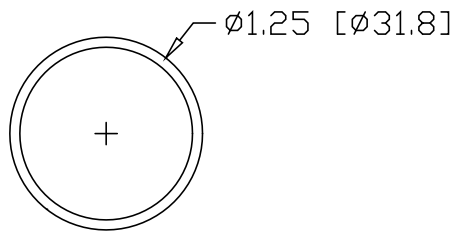
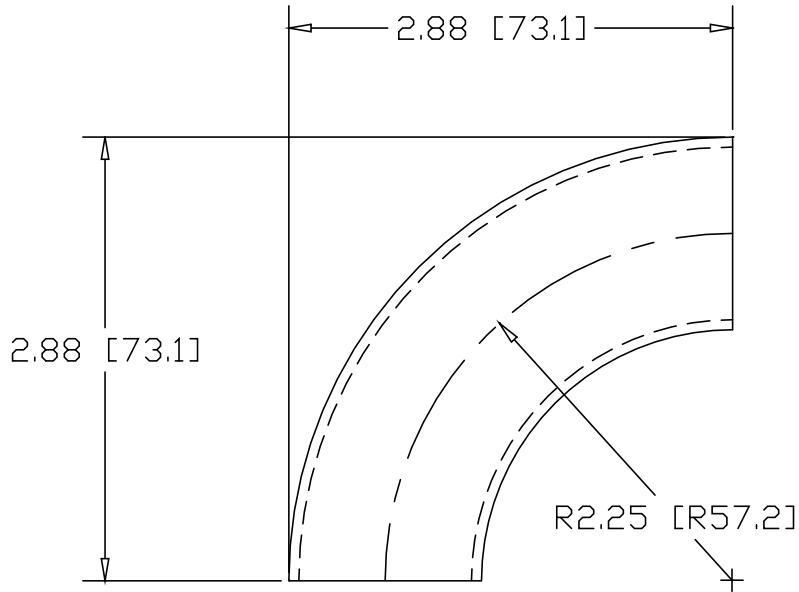



REV  
SH  
DWG NO 7856

REVISIONS			
REV	DESCRIPTION	DATE	APPROVED



INCHES [MILLIMETERS]

ALTERNATE MATERIAL	PART NUMBER
1.25" Ø.D. X .125W (6061-T1) ALUMINUM TUBE	7872
1.25" Ø.D. X .065W (304) STAINLESS STEEL TUBE	7888T

PART NAME		1.25" Ø.D. TUBE 90° ELL X 2.25" CLR					
MATERIAL		1.25" Ø.D. X .065W STEEL TUBE					
DATE	8/15/00	 <b>R &amp; B WAGNER, INC.</b>					
DRAWN BY	RJF						
FINISH	MILL						
SIZE	A	WEIGHT	.24 LBS	PART NUMBER	7856	REV	