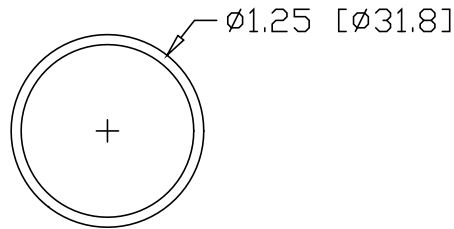
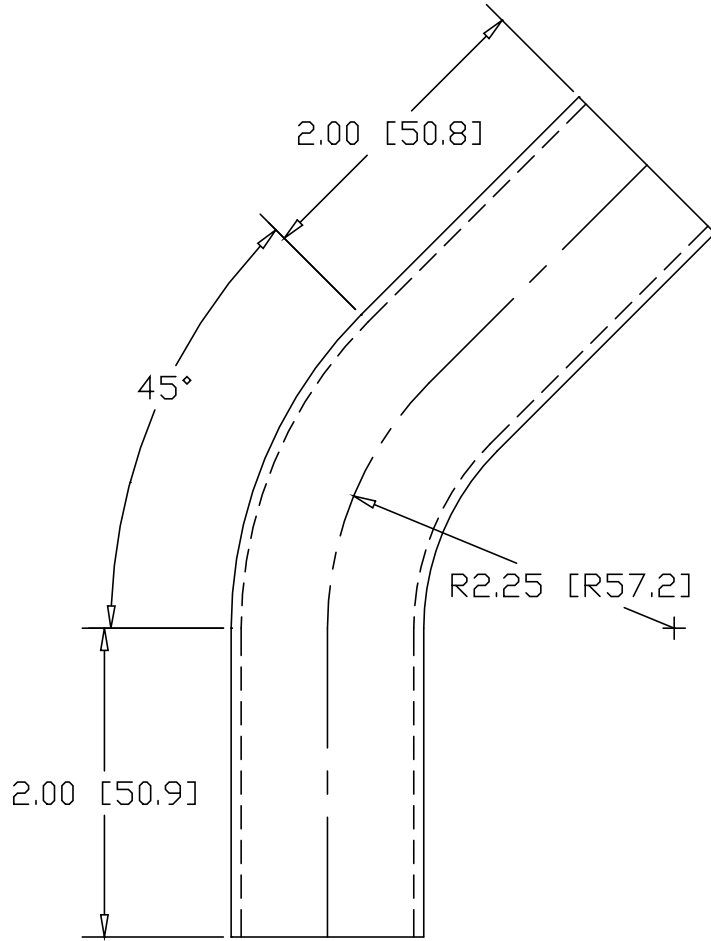



REV  
SH  
DWG NO 7853

REVISIONS			
REV	DESCRIPTION	DATE	APPROVED



INCHES [MILLIMETERS]

ALTERNATE MATERIAL	PART NUMBER
1.25" O.D. X .065W (304) STAINLESS STEEL TUBE	7885T

PART NAME 1.25" O.D. TUBE 45° ELL X 2.25" CLR W/(2) 2" TANGENTS			
MATERIAL 1.25" O.D. X .065W STEEL TUBE			
DATE 8/15/00		R & B WAGNER, INC.	
DRAWN BY RJF		PART NUMBER	7853
FINISH MILL		SIZE A	WEIGHT .40 LBS