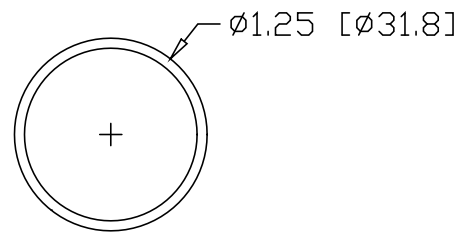
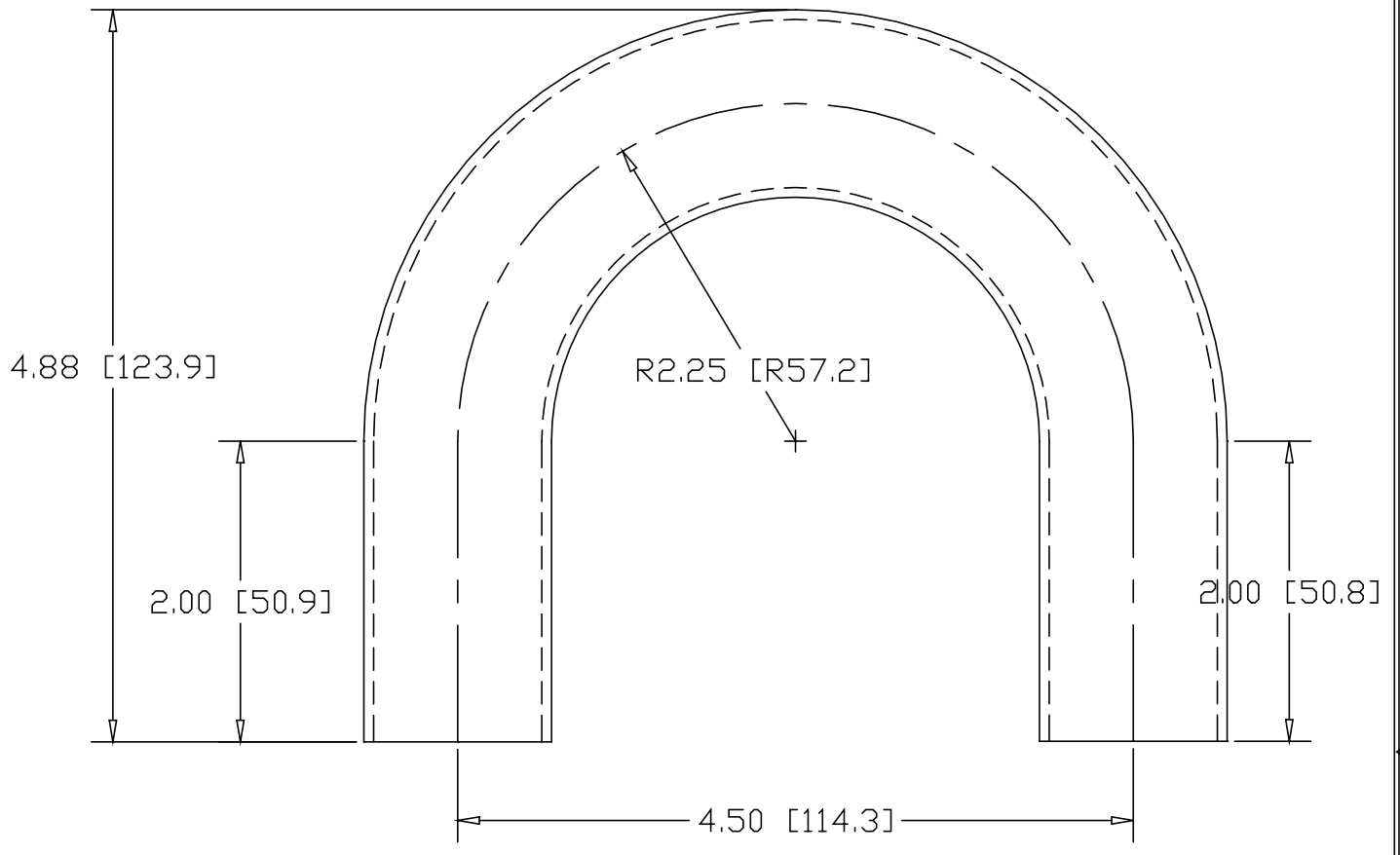



REV
SH
7863
DWG NO

REVISIONS			
REV	DESCRIPTION	DATE	APPROVED



INCHES [MILLIMETERS]

ALTERNATE MATERIAL		PART NUMBER					
1.25" O.D. X .125W (6061-T1) ALUMINUM TUBE		7879					
1.25" O.D. X .065W (304) STAINLESS STEEL TUBE		7895T					
PART NAME 1.25" O.D. TUBE 180° ELL X 2.25" CLR W/(2) 2" TANGENTS							
MATERIAL 1.25" O.D. X .065W STEEL TUBE							
DATE	8/15/00	 R & B WAGNER, INC.					
DRAWN BY	RJF						
FINISH	MILL						
SIZE	A	WEIGHT	.74 LBS	PART NUMBER	7863	REV	