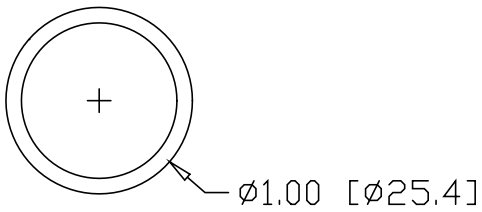
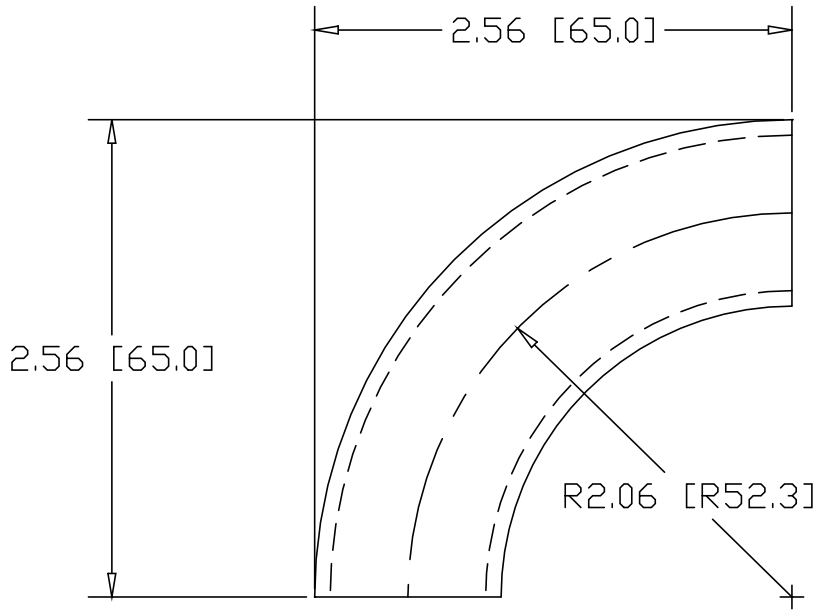



REV
SH
DWG NO 7806

REVISIONS			
REV	DESCRIPTION	DATE	APPROVED



INCHES [MILLIMETERS]

ALTERNATE MATERIAL	PART NUMBER
1.00" OD X .125W (6061-T1) ALUMINUM TUBE	7822
1.00" OD X .083W (304) STAINLESS STEEL TUBE	7838

PART NAME		1.00" OD TUBE 90° ELL X 2.06" CLR			
MATERIAL		1.00" OD X .083W STEEL TUBE ASTM A513			
DATE	8/10/00	 R & B WAGNER, INC.			
DRAWN BY	RJF				
FINISH	MILL	SIZE	WEIGHT	PART NUMBER	REV
		A	.22 LBS	7806	