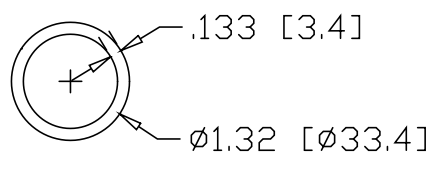
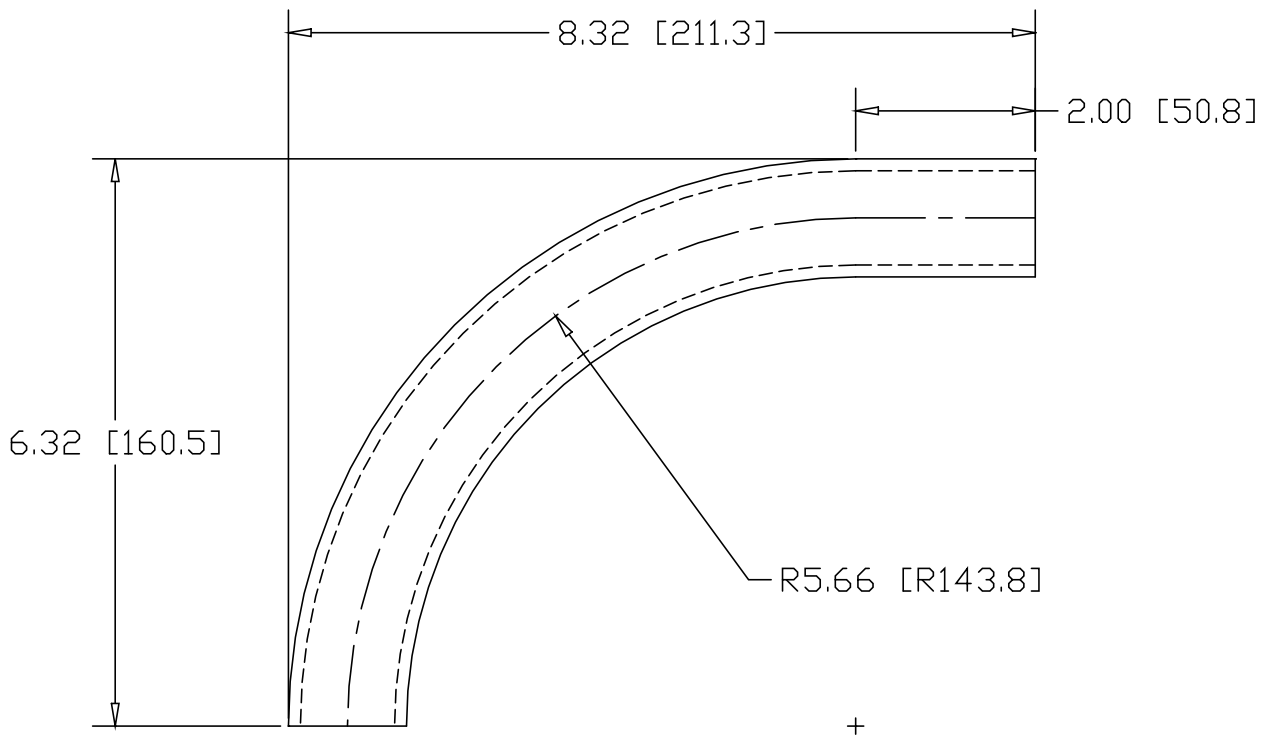



REV  
SH  
7008  
DWG NO

REVISIONS			
REV	DESCRIPTION	DATE	APPROVED



INCHES [MILLIMETERS]

ALTERNATE MATERIAL	PART NUMBER
1" SCH 40 (6063) ALUMINUM PIPE	7028
1" SCH 40 (304) STAINLESS STEEL PIPE	7048

PART NAME 1" PIPE SIZE 90° ELL X 5" I.R. W/ (1) 2" TANGENT			
MATERIAL 1" SCH 40 A53 STEEL PIPE			
DATE 4/30/96		R & B WAGNER, INC.	
DRAWN BY RJF		FINISH MILL	SIZE A
		PART NUMBER 7008	REV