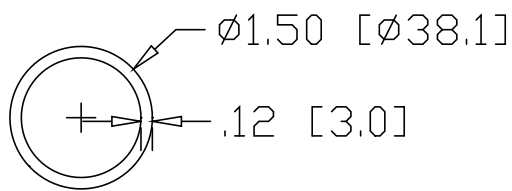
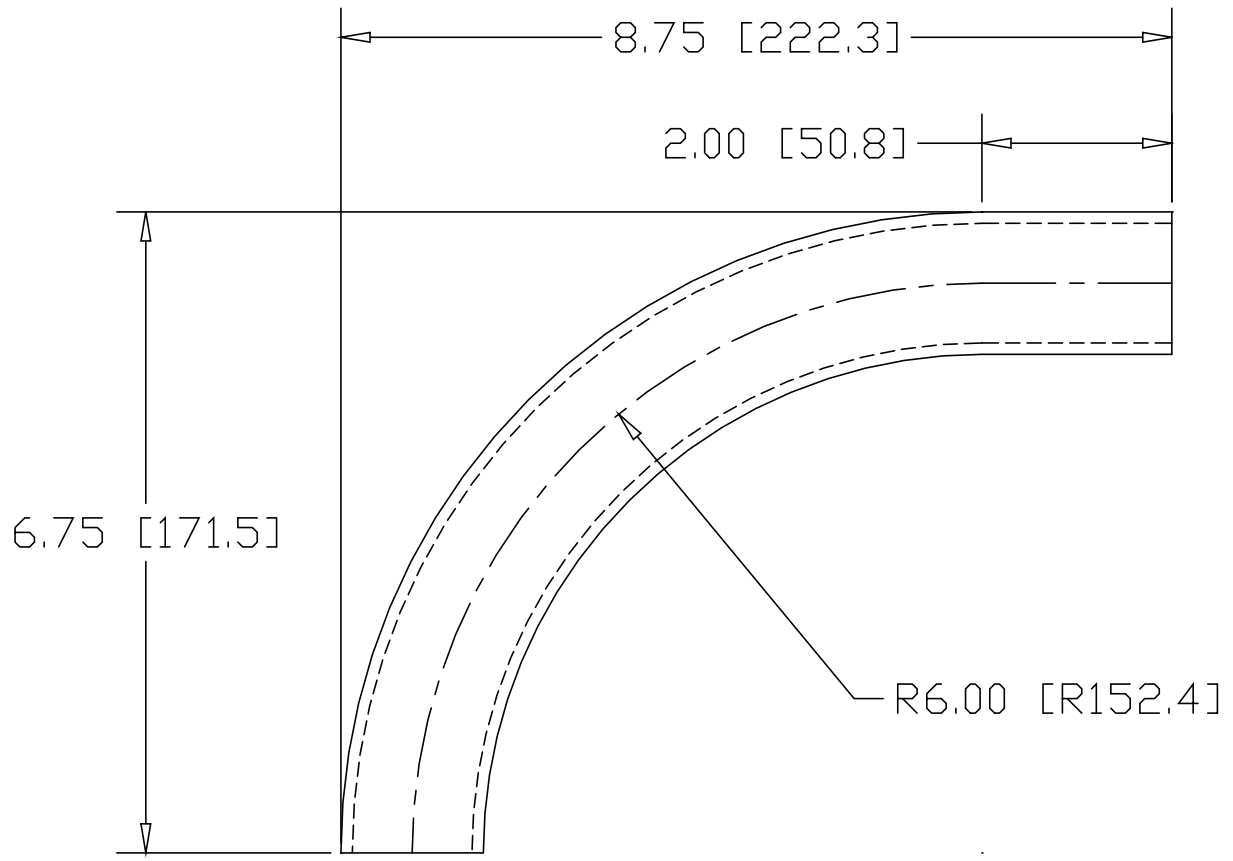



REV
SH
DWG NO 6957-6

| REVISIONS | | | |
|-----------|-------------|------|----------|
| REV | DESCRIPTION | DATE | APPROVED |



INCHES [MILLIMETERS]

| ALTERNATE MATERIAL | PART NUMBER |
|---|-------------|
| 1.50" Ø.D. X .125W (6061-T1) ALUMINUM TUBE | 6968-6 |
| 1.50" Ø.D. X .120W (304) STAINLESS STEEL TUBE | 6976-6 |

| | | | |
|--|---|--------------------|-----------------|
| PART NAME 1.50" Ø.D. TUBE 90° ELL X 6.00" CLR W/(1) 2" TANGENT | | | |
| MATERIAL 1.50" Ø.D. X .120W STEEL TUBE | | | |
| DATE 9/22/00 |  | R & B WAGNER, INC. | |
| DRAWN BY RJF | | PART NUMBER | 6957-6 |
| FINISH MILL | | SIZE A | WEIGHT 1.69 LBS |