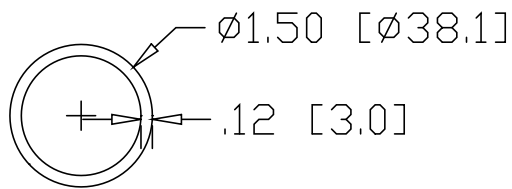
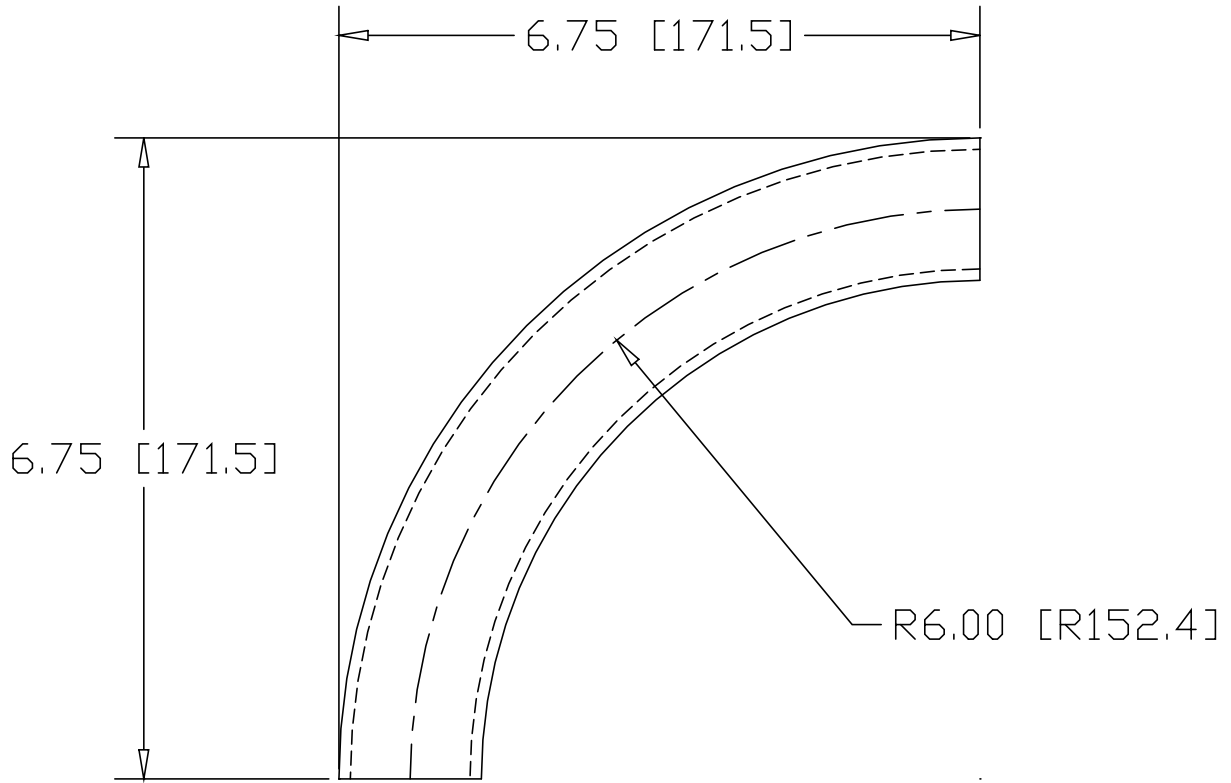



REV
SH
6956-6
DWG NO

REVISIONS			
REV	DESCRIPTION	DATE	APPROVED



INCHES [MILLIMETERS]

ALTERNATE MATERIAL	PART NUMBER
1.50" O.D. X .125W (6061-T1) ALUMINUM TUBE	6967-6
1.50" O.D. X .120W (304) STAINLESS STEEL TUBE	6975-6

PART NAME		1.50" O.D. TUBE 90° ELL X 6.00" CLR		
MATERIAL		1.50" O.D. X .120W STEEL TUBE		
DATE	9/22/00	 R & B WAGNER, INC.		
DRAWN BY	RJF			
FINISH	MILL			
SIZE	WEIGHT	PART NUMBER	REV	
A	1.39 LBS	6956-6		