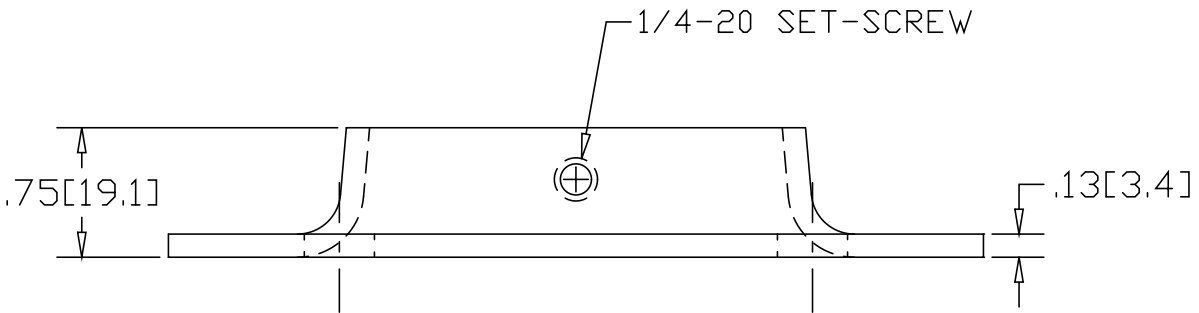
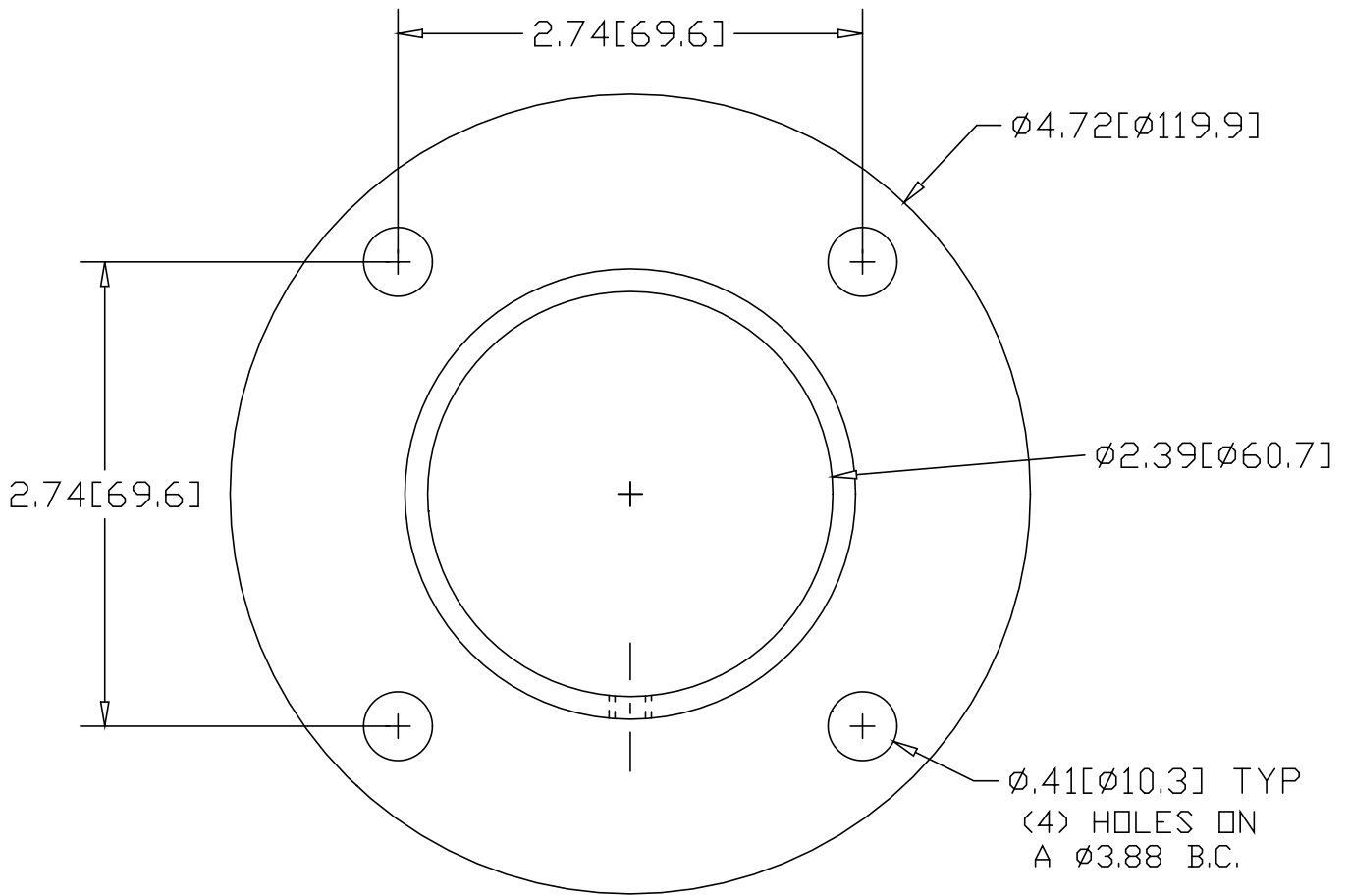


REV  
SH  
647  
DWG NO

REVISIONS			
REV	DESCRIPTION	DATE	APPROVED



INCHES [MILLIMETERS]

ALTERNATE MATERIAL	PART NUMBER
.125 (3003) ALUMINUM ASTM B209	687
10 GA. (304) STAINLESS STEEL ASTM A240	724

PART NAME 2" FLAT BASE PIPE FLANGE WITH (4) HOLES AND SET-SCREW							
MATERIAL 10 GA. HRP&D STEEL ASTM A-569							
DATE	1/8/99						
DRAWN BY	RJF						
FINISH	MILL						
SIZE	A	WEIGHT	.68 LBS	PART NUMBER	647	REV	