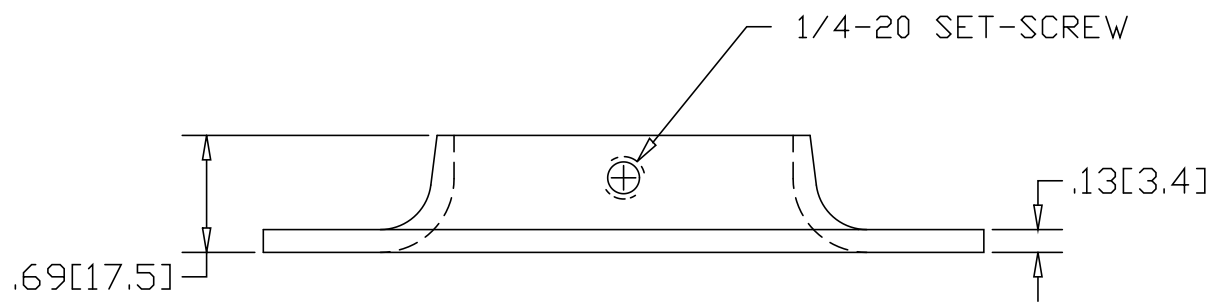
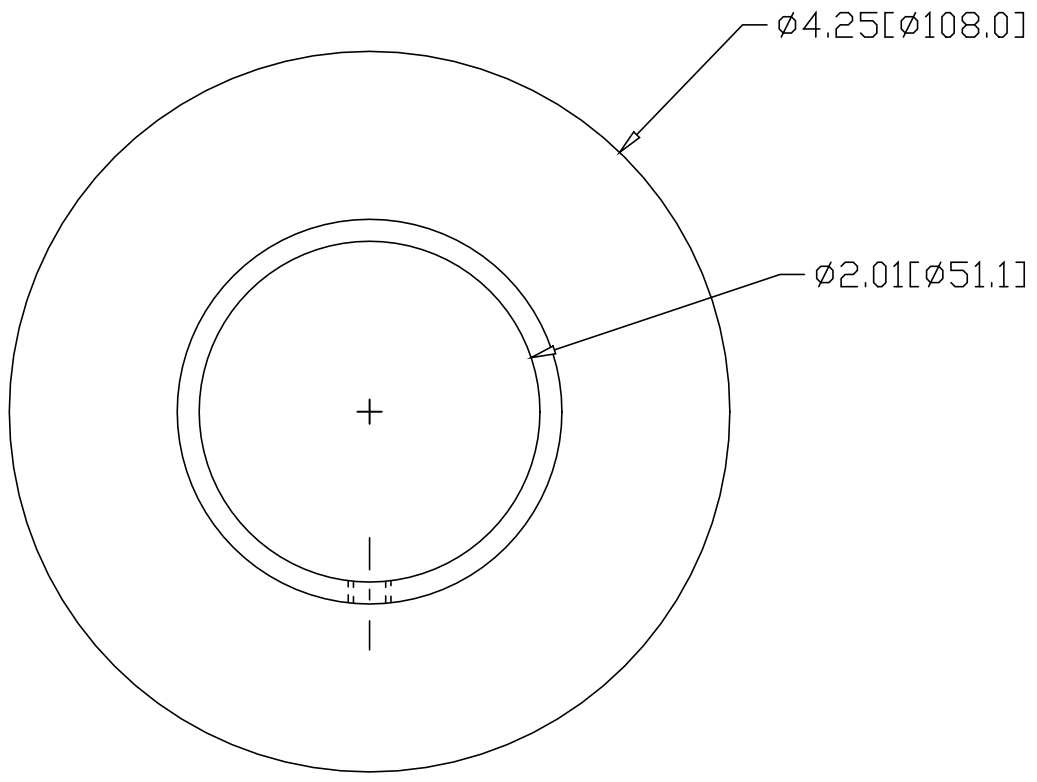



REV  
SH  
645T  
DWG NO

REVISIONS			
REV	DESCRIPTION	DATE	APPROVED



INCHES [MILLIMETERS]

ALTERNATE MATERIAL		PART NUMBER					
.125 (3003) ALUMINUM ASTM B209		685T					
10 GA. (304) STAINLESS STEEL ASTM A240		722T					
PART NAME 2" O.D. TUBE FLAT BASE FLANGE WITH SET-SCREW							
MATERIAL 10 GA. HRP&D STEEL ASTM A-569							
DATE	10/26/93	 <b>R &amp; B WAGNER, INC.</b>					
DRAWN BY	RJF						
FINISH	MILL						
SIZE	A	WEIGHT	.54 lbs	PART NUMBER	645T	REV	