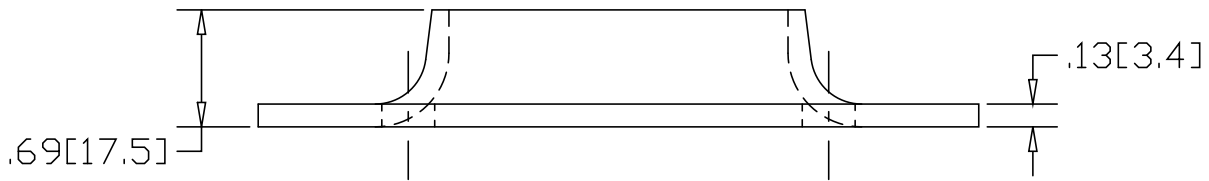
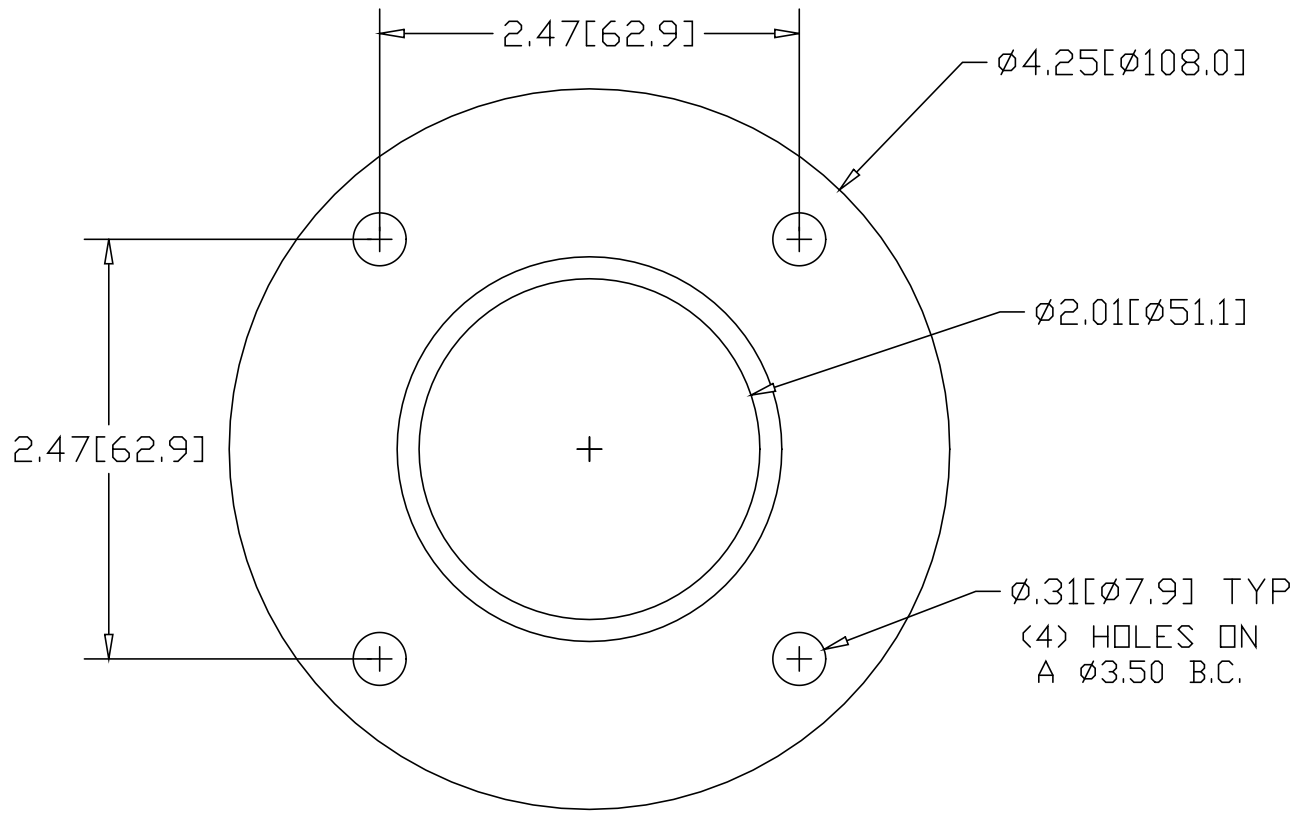



REV
SH
644T
DWG NO

REVISIONS			
REV	DESCRIPTION	DATE	APPROVED



INCHES [MILLIMETERS]

ALTERNATE MATERIAL	PART NUMBER
.125 (3003) ALUMINUM ASTM B209	684T
10 GA. (304) STAINLESS STEEL ASTM A240	727T

PART NAME 2" O.D. TUBE FLAT BASE FLANGE W/(4) HOLES			
MATERIAL 10 GA. HRP&D STEEL ASTM A-569			
DATE 1/11/99		R & B WAGNER, INC.	
DRAWN BY RJF		PART NUMBER	REV
FINISH MILL		644T	
SIZE A	WEIGHT .54 lbs		