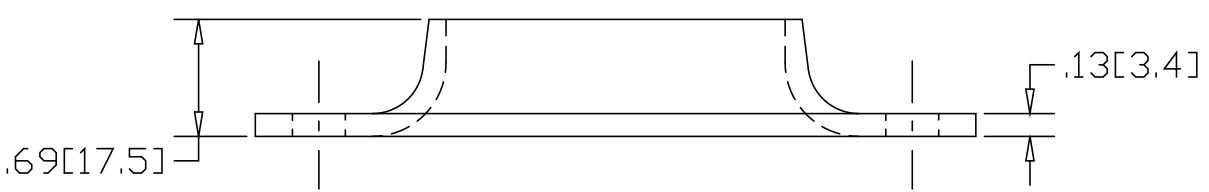
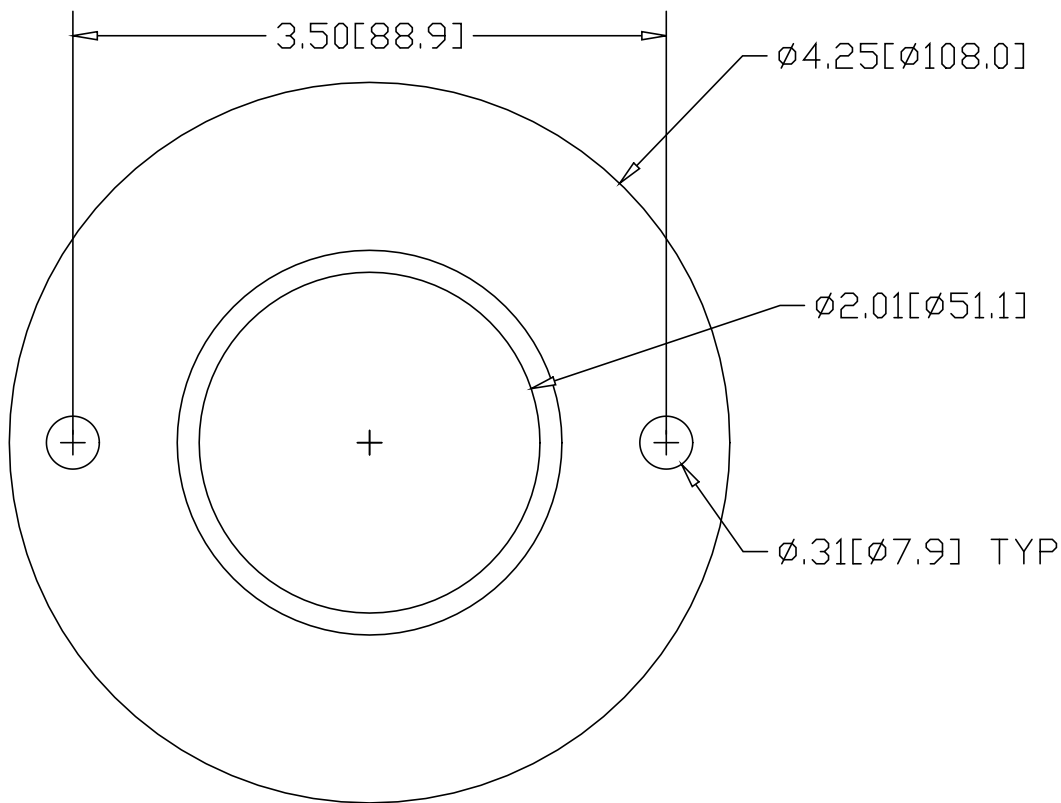



REV
SH
643T
DWG NO

REVISIONS			
REV	DESCRIPTION	DATE	APPROVED



INCHES [MILLIMETERS]

ALTERNATE MATERIAL	PART NUMBER
.125 (3003) ALUMINUM ASTM B209	683T
10 GA. (304) STAINLESS STEEL ASTM A240	726T

PART NAME 2" O.D. TUBE FLAT BASE FLANGE W/(2) HOLES				
MATERIAL 10 GA. HRP&D STEEL ASTM A-569				
DATE 1/11/99	 R & B WAGNER, INC.			
DRAWN BY RJF				
FINISH MILL	SIZE A	WEIGHT .54 lbs	PART NUMBER 643T	REV