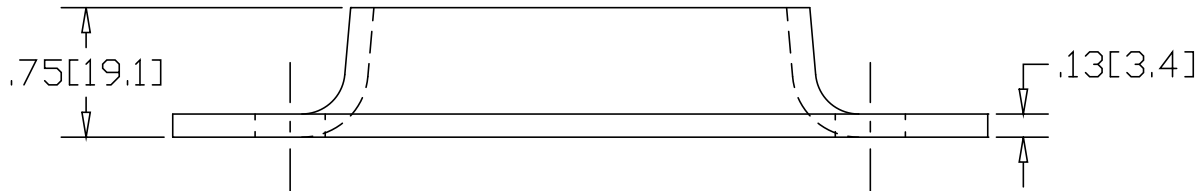
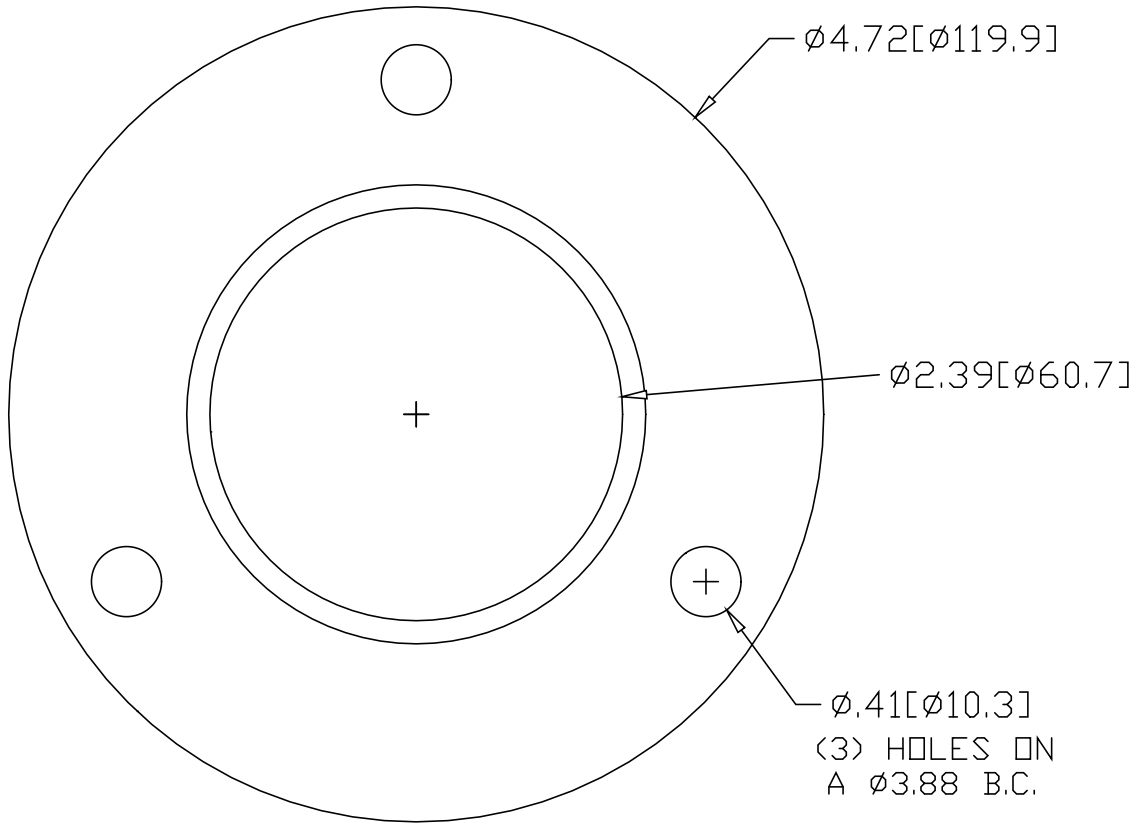


REV
SH
643A
DWG NO

REVISIONS			
REV	DESCRIPTION	DATE	APPROVED



INCHES [MILLIMETERS]

ALTERNATE MATERIAL	PART NUMBER
.125 (3003) ALUMINUM ASTM B209	683A
10 GA. (304) STAINLESS STEEL ASTM A240	726A

PART NAME				2" FLAT BASE PIPE FLANGE WITH (3) HOLES	
MATERIAL				10 GA. HRP&D STEEL ASTM A-569	
DATE	1/8/99	WAGNER R & B WAGNER, INC.			
DRAWN BY	RJF				
FINISH	MILL				
SIZE	A	WEIGHT	.68 LBS	PART NUMBER	643A
				REV	