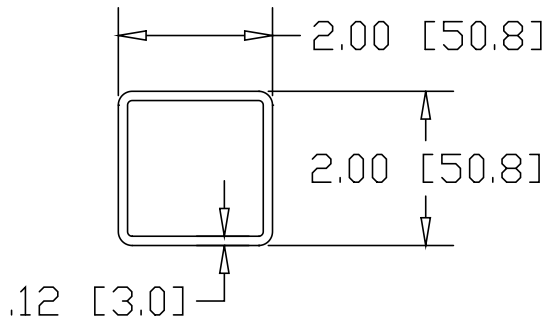
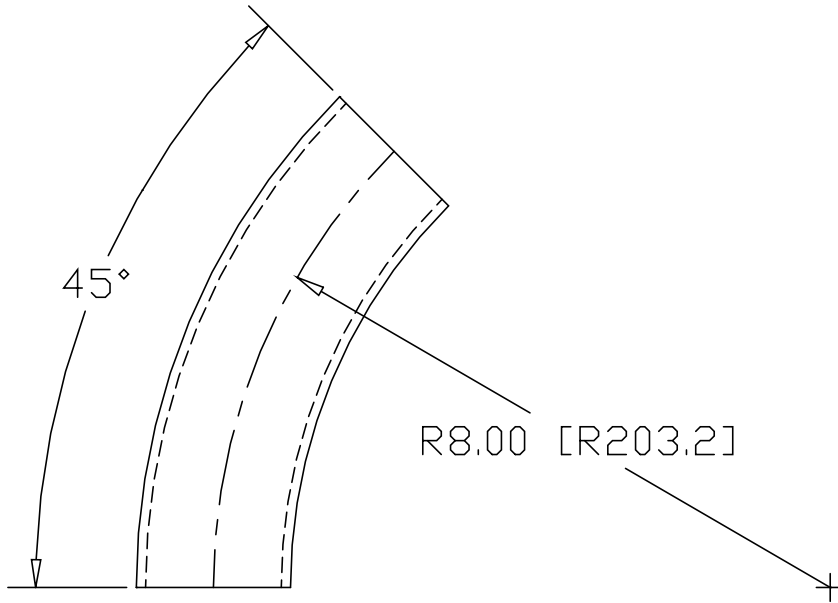



REV
SH
6382
DWG NO

REVISIONS			
REV	DESCRIPTION	DATE	APPROVED



INCHES [MILLIMETERS]

PART NAME		2.00" SQUARE STEEL 45° X 8.00" CLR ELL					
MATERIAL		2.00" X .120W SQUARE STEEL TUBE					
DATE	10/3/00	 THE WAGNER COMPANIES R & B WAGNER, INC. AND J. G. BRAUN CO.					
DRAWN BY	RJF						
FINISH	MILL						
SIZE	A	WEIGHT	1.54 LBS	PART NUMBER	6382	REV	