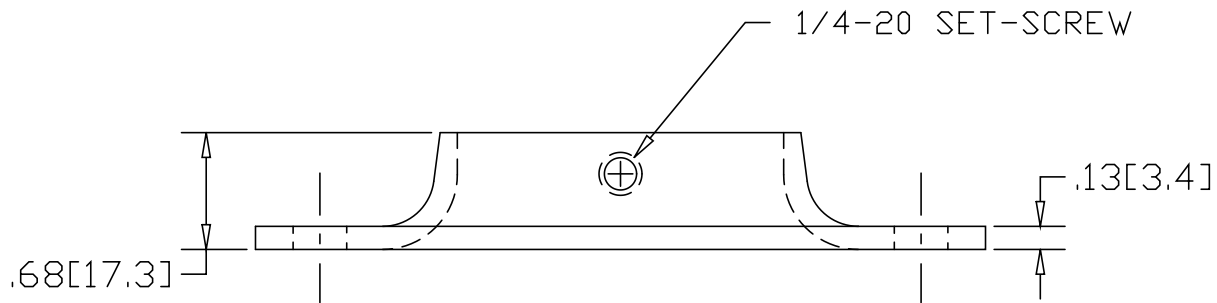
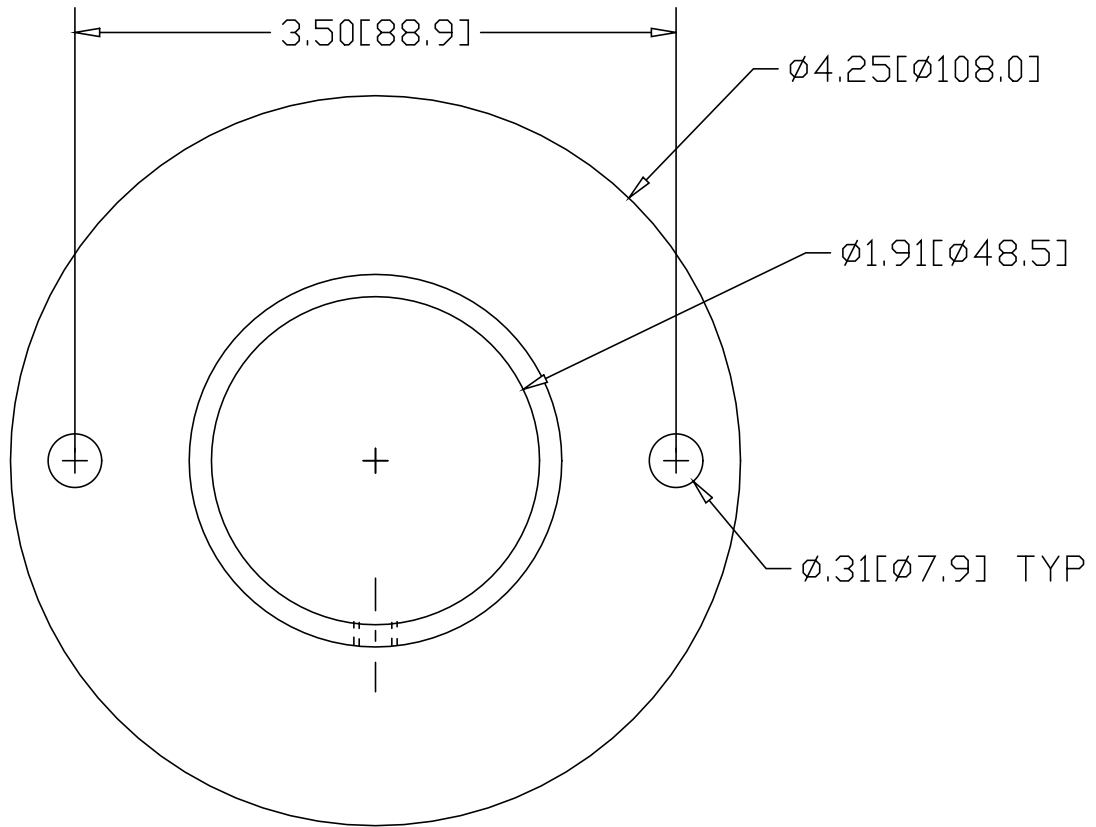



REV
SH
638
DWG NO

REVISIONS			
REV	DESCRIPTION	DATE	APPROVED



INCHES [MILLIMETERS]

ALTERNATE MATERIAL	PART NUMBER
.125 (3003) ALUMINUM ASTM B209	678
10 GA. (304) STAINLESS STEEL ASTM A240	718

PART NAME 1-1/2" FLAT BASE PIPE FLANGE W/(2) HOLES AND SET-SCREW			
MATERIAL 10 GA. HRP&D STEEL ASTM A-569			
DATE 1/7/99		R & B WAGNER, INC.	
DRAWN BY RJF		PART NUMBER 638	REV
FINISH MILL	SIZE A	WEIGHT .54 lbs	