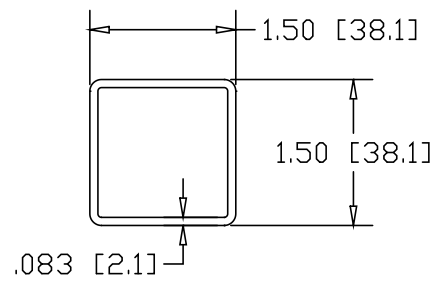
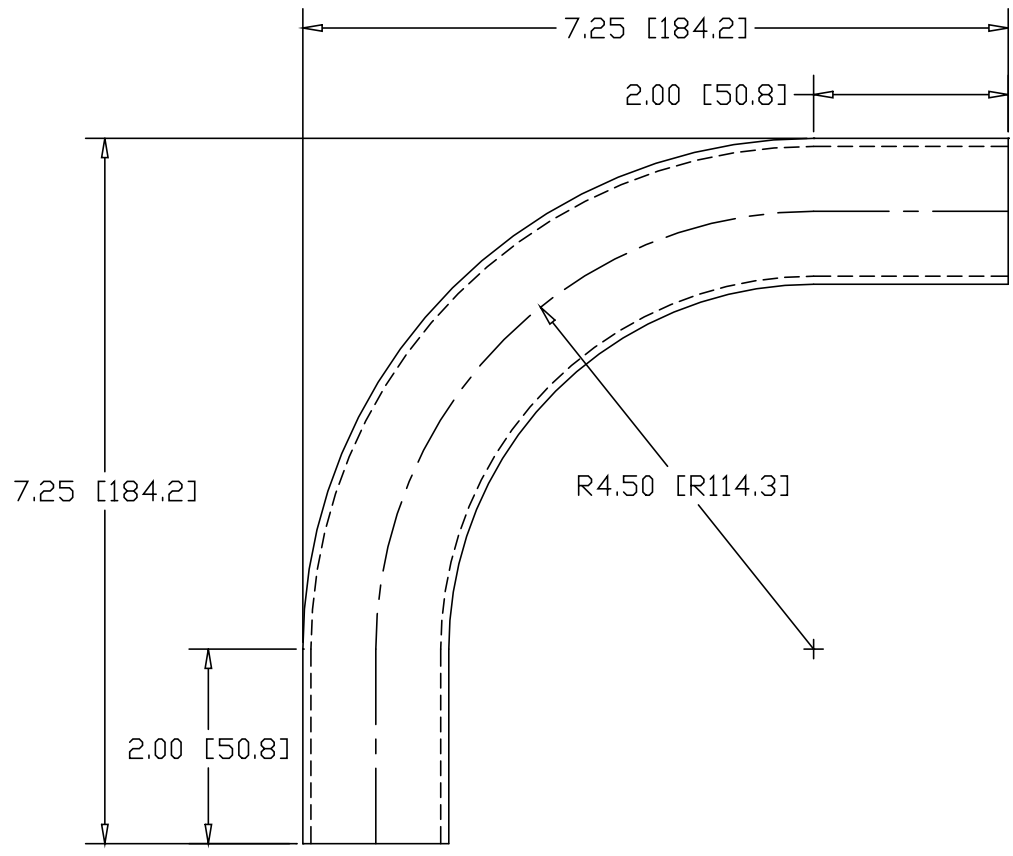



REV  
SH  
6368  
DWG NO

REVISIONS			
REV	DESCRIPTION	DATE	APPROVED



INCHES [MILLIMETERS]

PART NAME 1.50" SQUARE STEEL 90° X 4.50"CLR ELL W/⟨2⟩ 2" TANGENTS			
MATERIAL 1.50" X .083W SQUARE STEEL TUBE			
DATE 10/3/00		<b>THE WAGNER COMPANIES</b> R & B WAGNER, INC. AND J. G. BRAUN CO.	
DRAWN BY RJF			
FINISH MILL	SIZE A	WEIGHT 1.48 LBS	PART NUMBER 6368
			REV