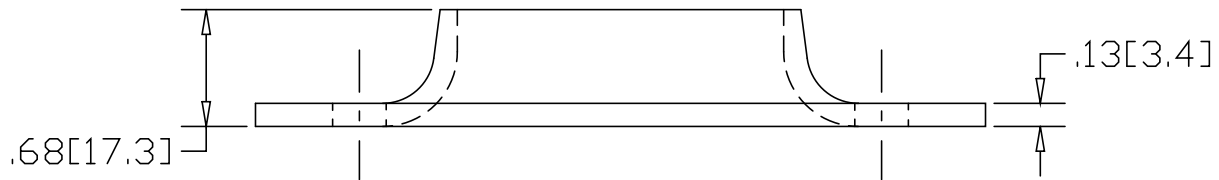
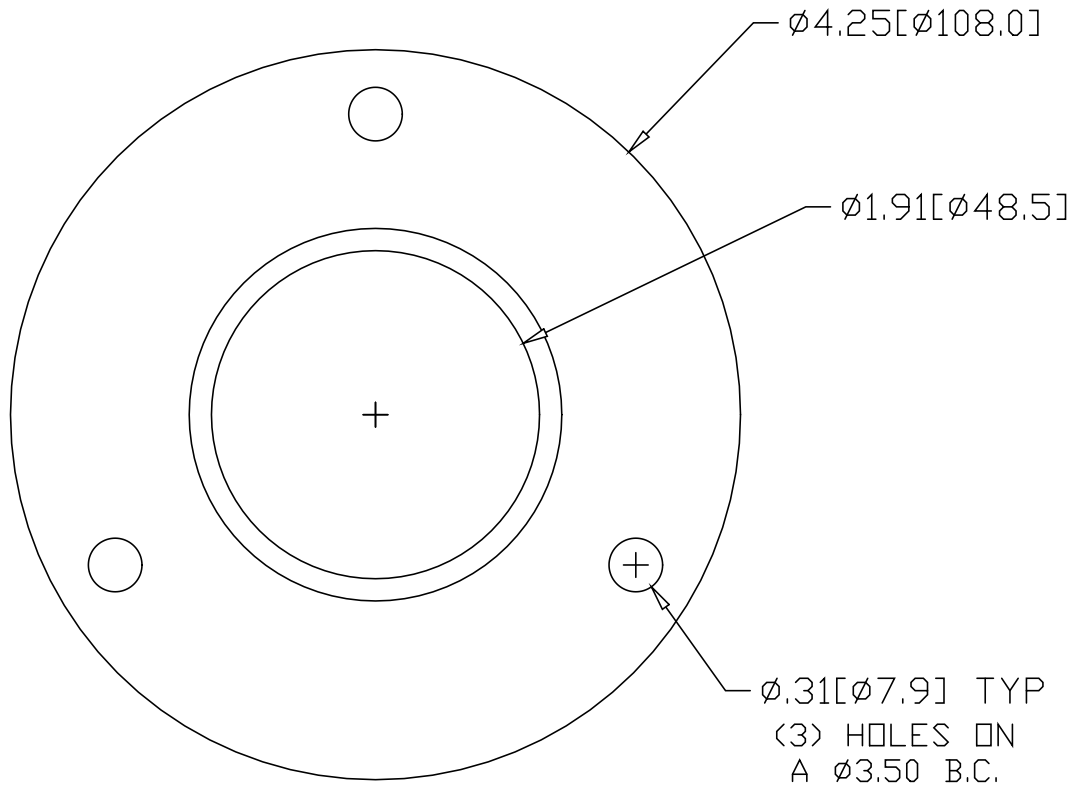



REV
SH
635A
DWG NO

REVISIONS			
REV	DESCRIPTION	DATE	APPROVED



INCHES [MILLIMETERS]

ALTERNATE MATERIAL	PART NUMBER
.125 (3003) ALUMINUM ASTM B209	675A
10 GA. (304) STAINLESS STEEL ASTM A240	715A

PART NAME		1-1/2" FLAT BASE PIPE FLANGE W/(3) HOLES		
MATERIAL		10 GA. HRP&D STEEL ASTM A-569		
DATE	1/7/99	 R & B WAGNER, INC.		
DRAWN BY	RJF			
FINISH	MILL	SIZE	WEIGHT	PART NUMBER
		A	.54 lbs	635A
				REV