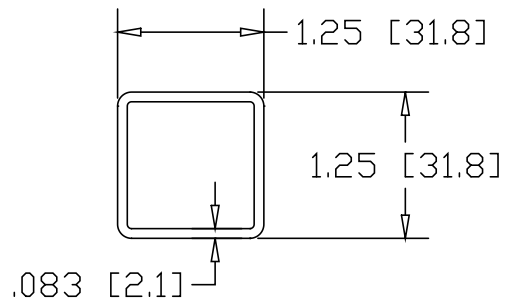
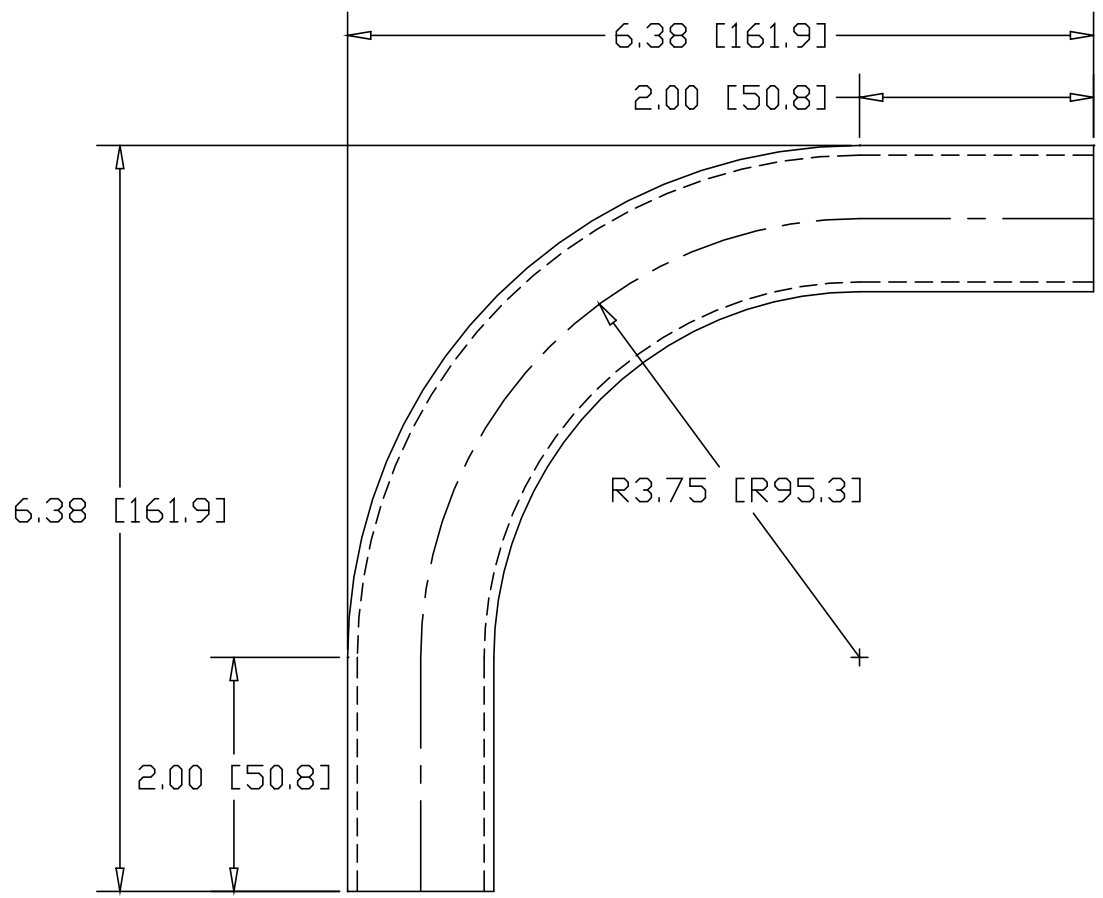



REV  
SH  
6338  
DWG NO

REVISIONS			
REV	DESCRIPTION	DATE	APPROVED



INCHES [MILLIMETERS]

PART NAME 1.25" SQUARE STEEL 90° X 3.75" CLR ELL W/⟨2⟩ 2" TANGENTS			
MATERIAL 1.25" X .083W SQUARE STEEL TUBE			
DATE 10/3/00		THE WAGNER COMPANIES	
DRAWN BY RJF		R & B WAGNER, INC. AND J. G. BRAUN CO.	
FINISH MILL		SIZE A	WEIGHT 1.09 LBS
			REV