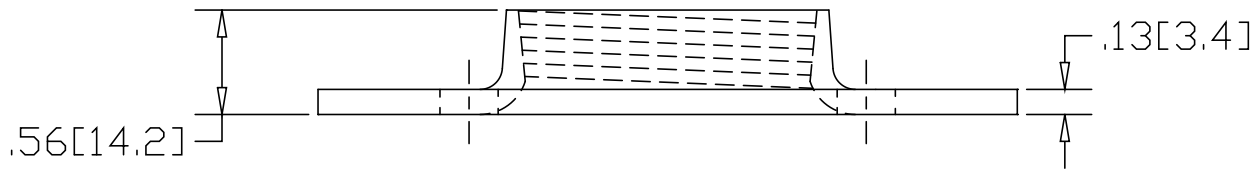
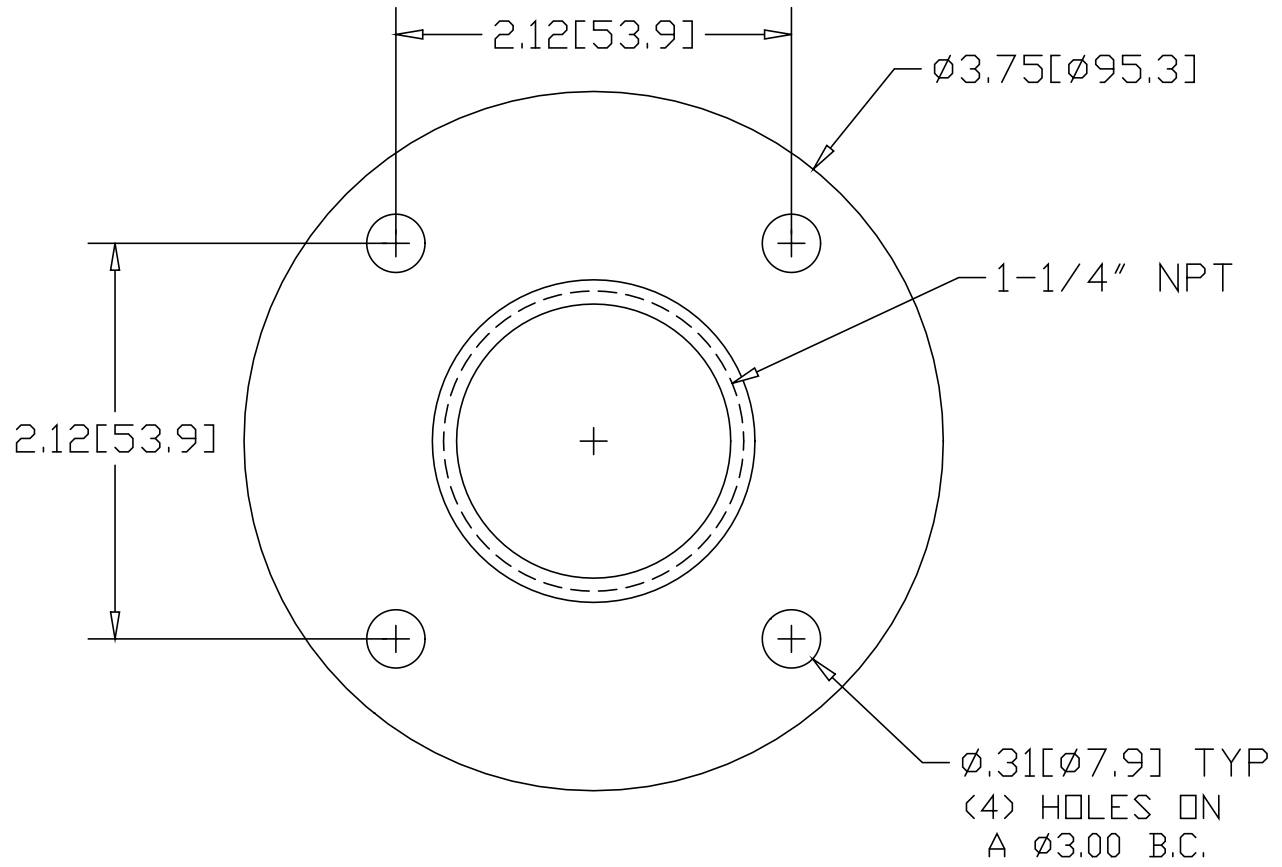



REV
SH
632-4
DWG NO

| REVISIONS | | | |
|-----------|-------------|------|----------|
| REV | DESCRIPTION | DATE | APPROVED |



INCHES [MILLIMETERS]

| | | | |
|---|--------|---|----------------------|
| PART NAME 1-1/4" FLAT BASE PIPE FLANGE - THREADED W/(4) HOLES | | | |
| MATERIAL 10 GA. HRP&D STEEL ASTM A-569 | | | |
| DATE | 1/7/99 |  THE WAGNER COMPANIES R & B WAGNER, INC. AND J. G. BRAUN CO. | |
| DRAWN BY | RJF | | |
| FINISH | MILL | | |
| SIZE | A | WEIGHT .42 lbs | PART NUMBER 632-4 |
| | | | REV |