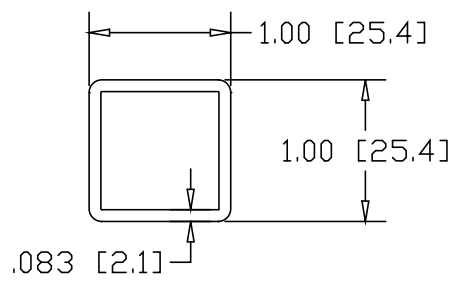
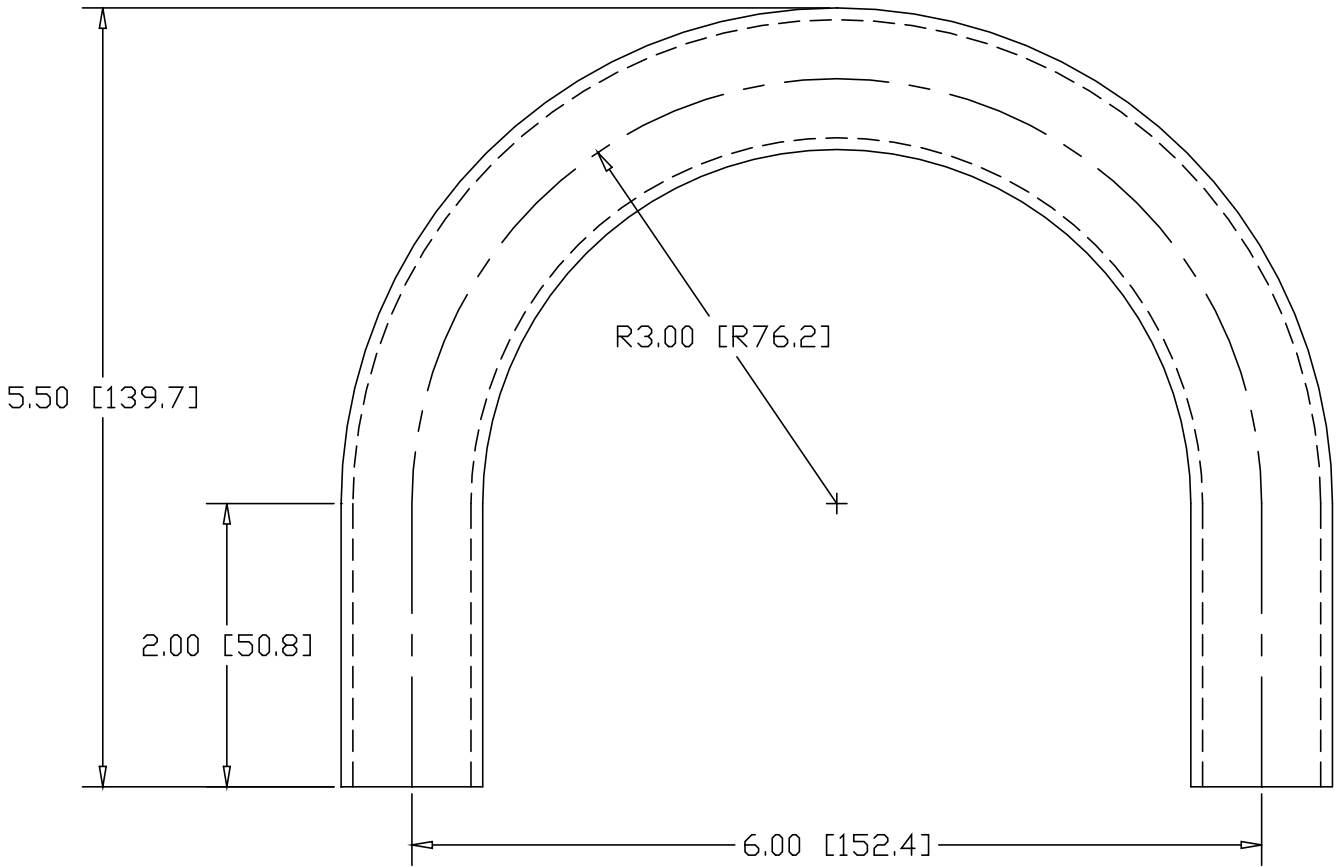


REV
SH
6313
DWG NO

REVISIONS			
REV	DESCRIPTION	DATE	APPROVED



INCHES [MILLIMETERS]

ALTERNATE MATERIAL	PART NUMBER
1.00" SQUARE X .125W (6063) ALUMINUM TUBE	6413

PART NAME 1" SQUARE STEEL 180° X 3" CLR ELL W/(2) 2" TANGENTS			
MATERIAL 1.00" X .083W SQUARE STEEL TUBE			
DATE 10/3/00	WAGNER	R & B WAGNER, INC.	
DRAWN BY RJF			
FINISH MILL			
SIZE A	WEIGHT 1.16 LBS	PART NUMBER 6313	REV