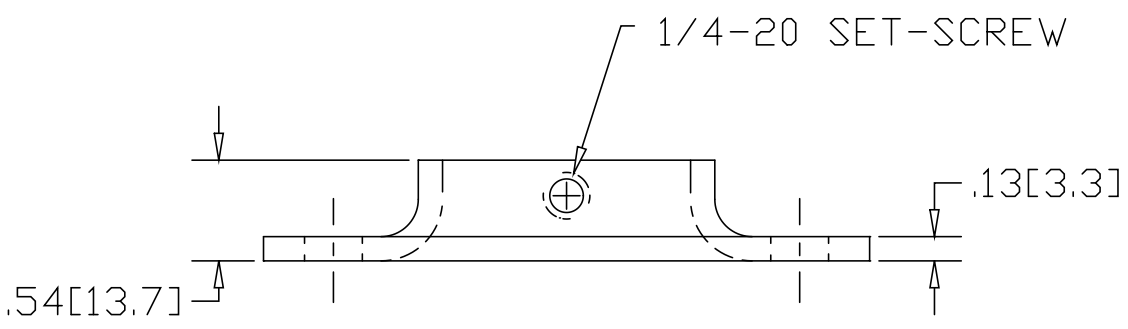
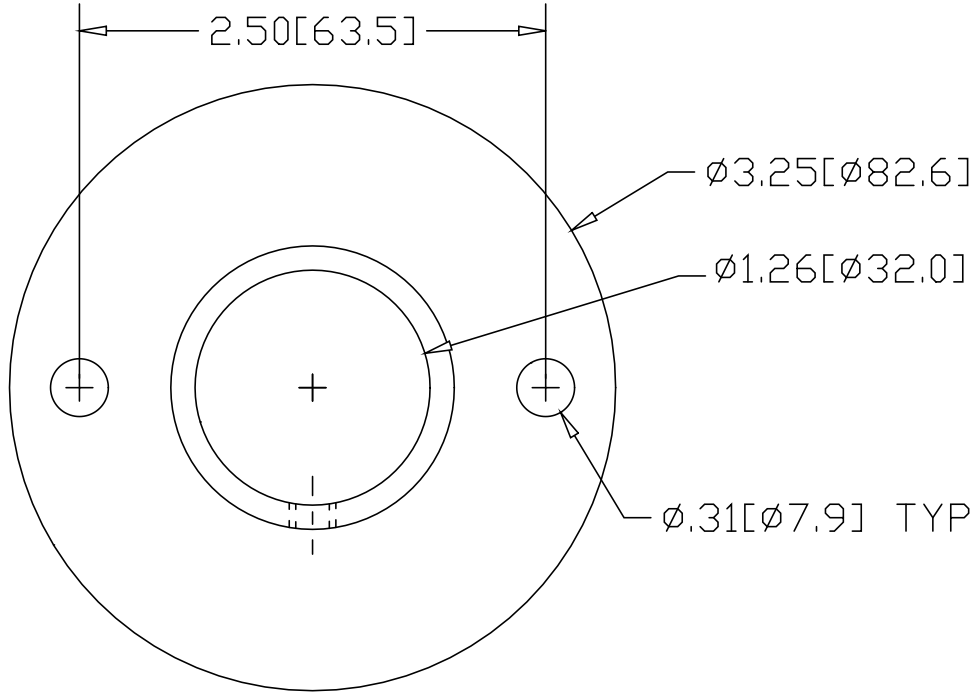


REV
SH
630T
DWG NO

REVISIONS			
REV	DESCRIPTION	DATE	APPROVED



INCHES [MILLIMETERS]

ALTERNATE MATERIAL	PART NUMBER
.125 (3003) ALUMINUM ASTM B209	670T
10 GA. (304) STAINLESS STEEL ASTM A240	710T

PART NAME 1-1/4" O.D. TUBE FLAT BASE FLANGE W/(2) HOLES AND SET-SCREW			
MATERIAL 10 GA. HRP&□ STEEL ASTM A-569			
DATE 1/11/99	WAGNER	R & B WAGNER, INC.	
DRAWN BY RJF		SIZE A	WEIGHT .3 LBS
FINISH MILL	PART NUMBER 630T	REV	