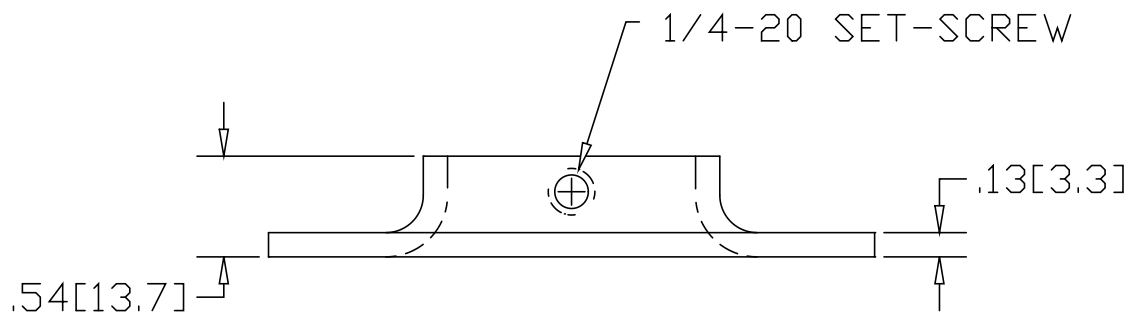
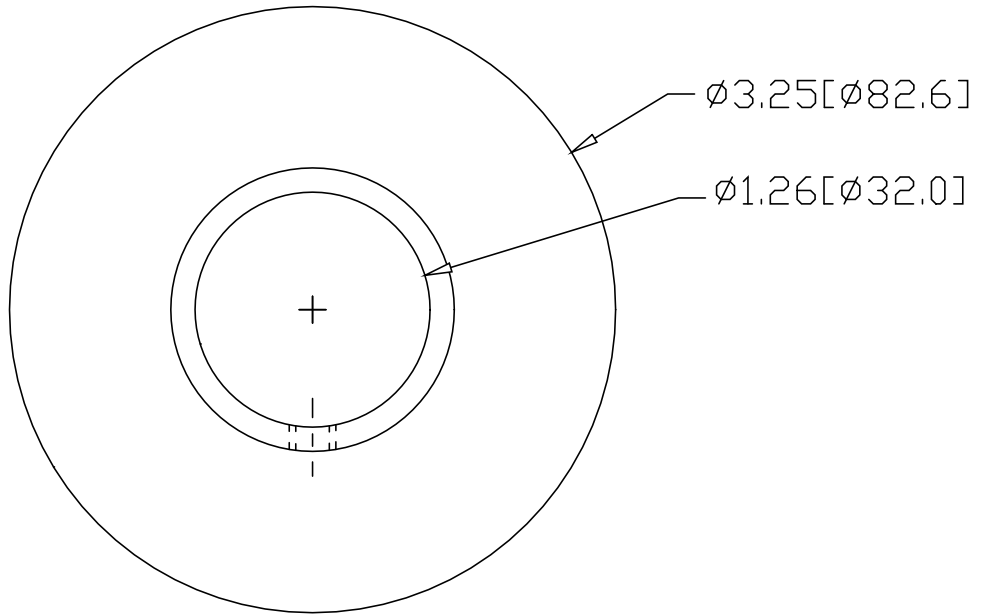



REV  
SH  
629T  
DWG NO

REVISIONS			
REV	DESCRIPTION	DATE	APPROVED



INCHES [MILLIMETERS]

ALTERNATE MATERIAL	PART NUMBER
.125 (3003) ALUMINUM ASTM B209	669T
10 GA. (304) STAINLESS STEEL ASTM A240	709T

PART NAME 1-1/4" O.D. TUBE FLAT BASE FLANGE WITH SET-SCREW				
MATERIAL 10 GA. HRP&□ STEEL ASTM A-569				
DATE 1/11/99	 <b>R &amp; B WAGNER, INC.</b>			
DRAWN BY RJF				
FINISH MILL	SIZE A	WEIGHT .3 LBS	PART NUMBER 629T	REV