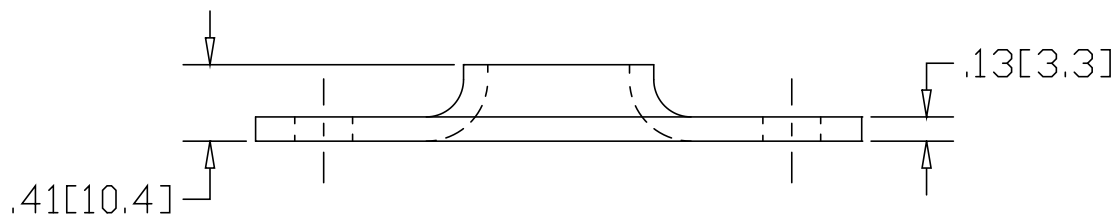
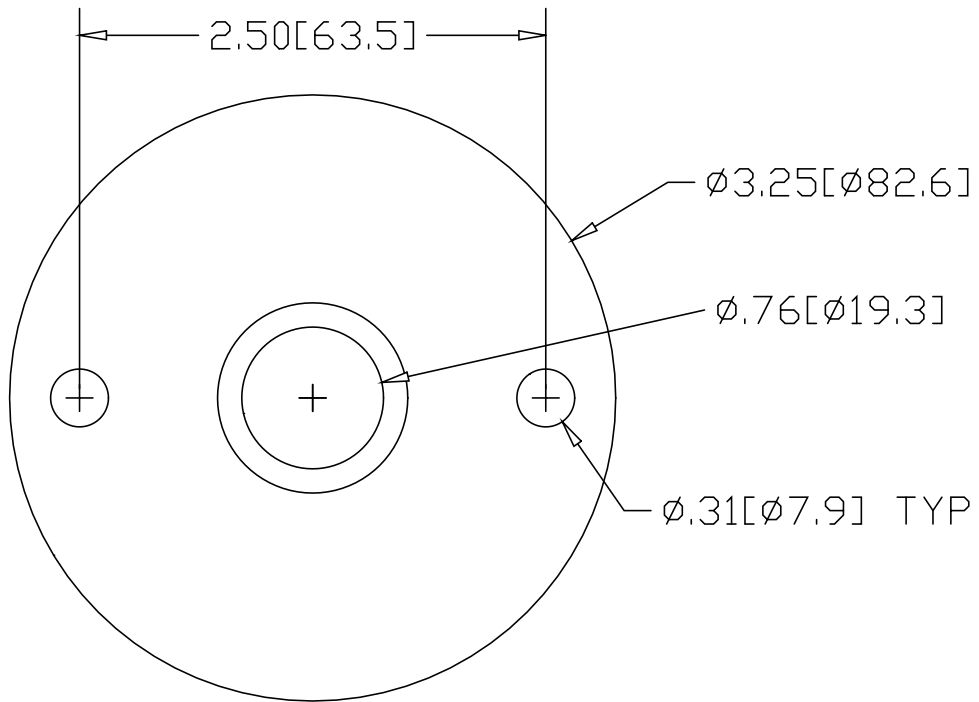



REV
SH
611T
DWG NO

REVISIONS			
REV	DESCRIPTION	DATE	APPROVED



INCHES [MILLIMETERS]

ALTERNATE MATERIAL	PART NUMBER
.125 (3003) ALUMINUM ASTM B209	651T
10 GA. (304) STAINLESS STEEL ASTM A240	691T

PART NAME .75" O.D. TUBE FLAT BASE FLANGE W/(2) HOLES			
MATERIAL 10 GA. HRP&D STEEL ASTM A-569			
DATE 1/8/99	 THE WAGNER COMPANIES R & B WAGNER, INC. AND J. G. BRAUN CO.		
DRAWN BY RJF			
FINISH MILL		SIZE A	WEIGHT .3 LBS
		REV	