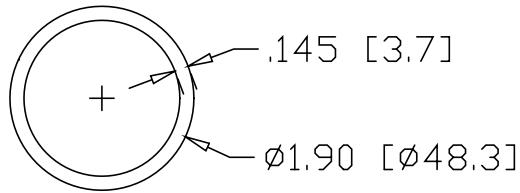
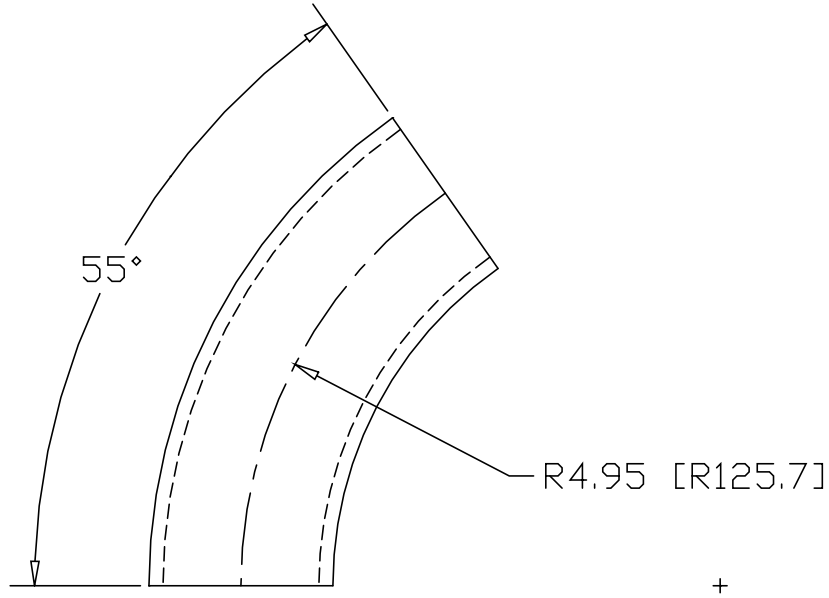



REV
SH
5663
DWG NO

REVISIONS			
REV	DESCRIPTION	DATE	APPROVED



INCHES [MILLIMETERS]

ALTERNATE MATERIAL	PART NUMBER
1-1/2" SCH 40 (6063) ALUMINUM PIPE	5673
1-1/2" SCH 40 (304) STAINLESS STEEL PIPE	5683

PART NAME				1-1/2" PIPE SIZE 55° ELL X 4" I.R.	
MATERIAL				1-1/2" SCH 40 A53 STEEL PIPE	
DATE		4/5/96		 R & B WAGNER, INC.	
DRAWN BY		RJF			
FINISH		MILL			
SIZE	WEIGHT	PART NUMBER	REV		
A	1.07 LBS	5663			