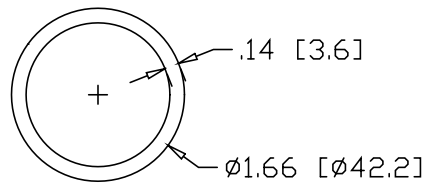
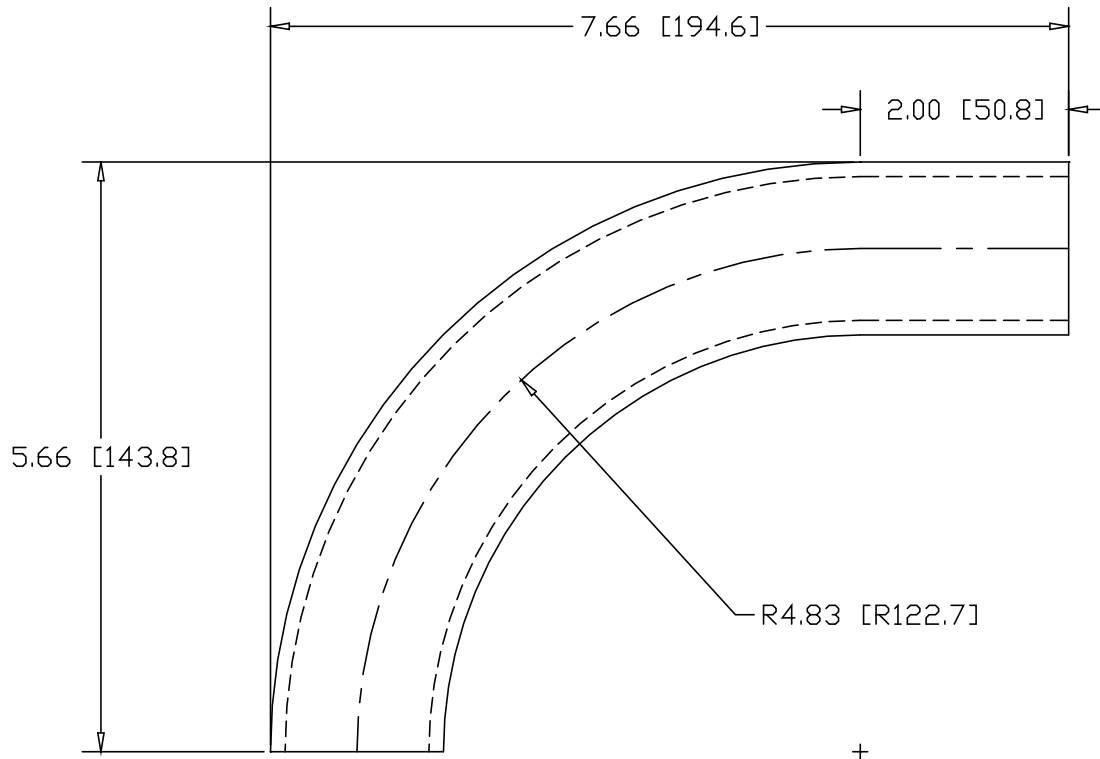



REV
SH
5635
DWG NO

REVISIONS			
REV	DESCRIPTION	DATE	APPROVED



INCHES [MILLIMETERS]

ALTERNATE MATERIAL	PART NUMBER
1-1/4" SCH 40 (6063) ALUMINUM PIPE	5645
1-1/4" SCH 40 (304) STAINLESS STEEL PIPE	5655

PART NAME 1-1/4" PIPE SIZE 90° ELL X 4" I.R. W/ (1) 2" TANGENT			
MATERIAL 1-1/4" SCH 40 A53 STEEL PIPE			
DATE 4/5/96		R & B WAGNER, INC.	
DRAWN BY RJF		SIZE A	WEIGHT 1.81 LBS
FINISH MILL		PART NUMBER 5635	REV