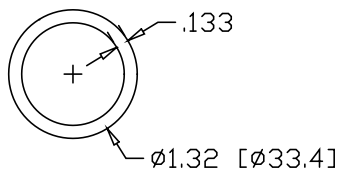
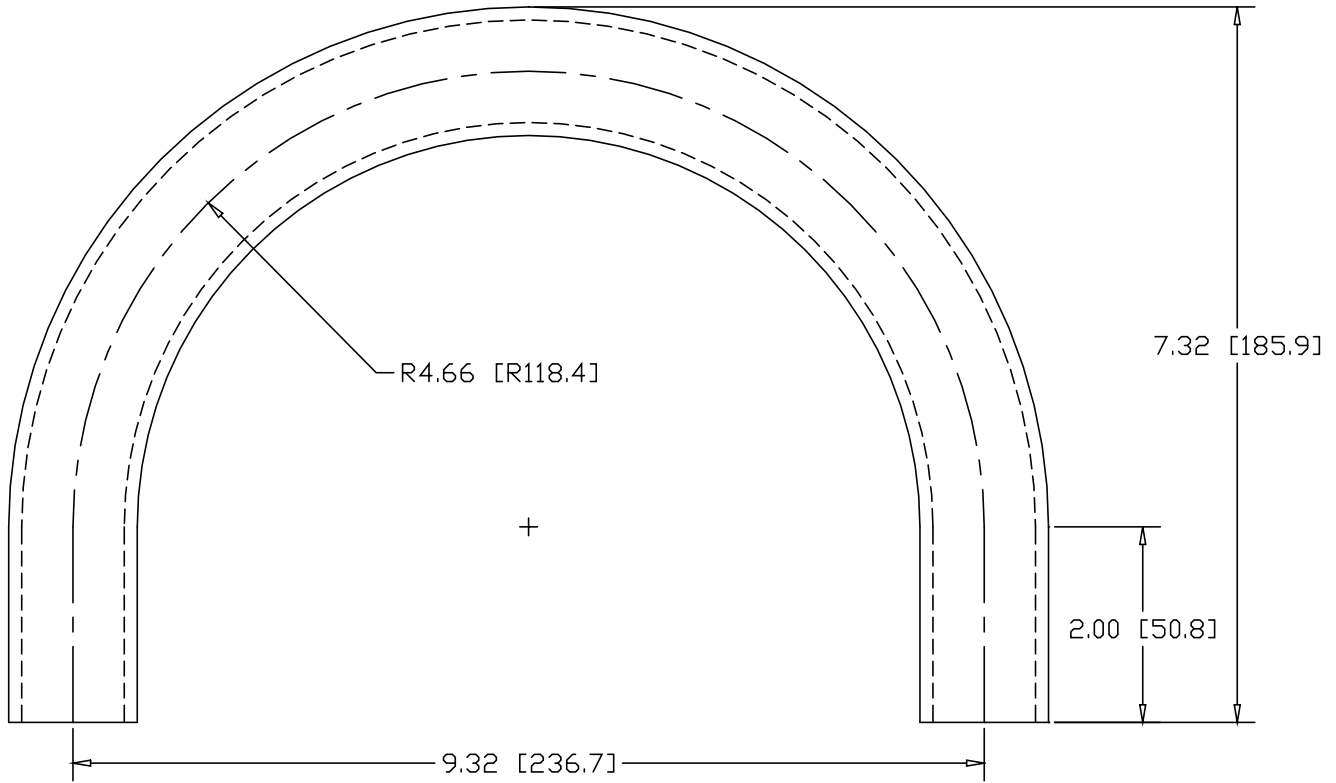



REV  
SH  
5609  
DWG NO

REVISIONS			
REV	DESCRIPTION	DATE	APPROVED



INCHES [MILLIMETERS]

ALTERNATE MATERIAL	PART NUMBER
1" SCH 40 (6063) ALUMINUM PIPE	5619
1" SCH 40 (304) STAINLESS STEEL PIPE	5630

PART NAME 1" PIPE SIZE 180° ELL X 4" I.R. W/ (2) 2" TANGENTS			
MATERIAL 1" SCH 40 A53 STEEL PIPE			
DATE 4/5/96		R & B WAGNER, INC.	
DRAWN BY RJF		PART NUMBER	5609
FINISH MILL		SIZE A	WEIGHT 2.61 LBS